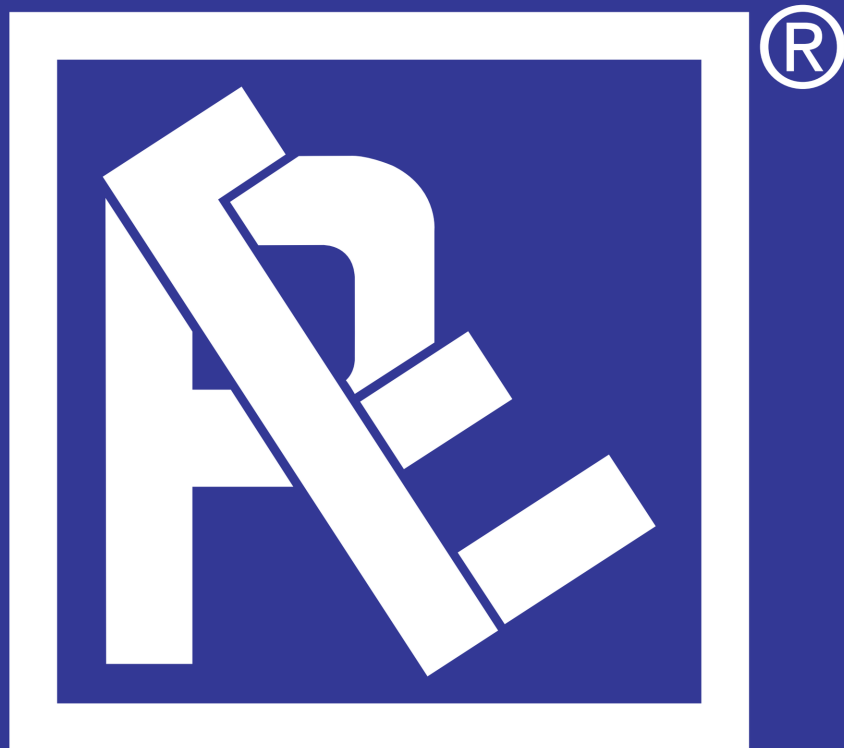


**Profili pianali
plan-kit / paracicli
rampe di salita**

**Profiles
for lorry bed**

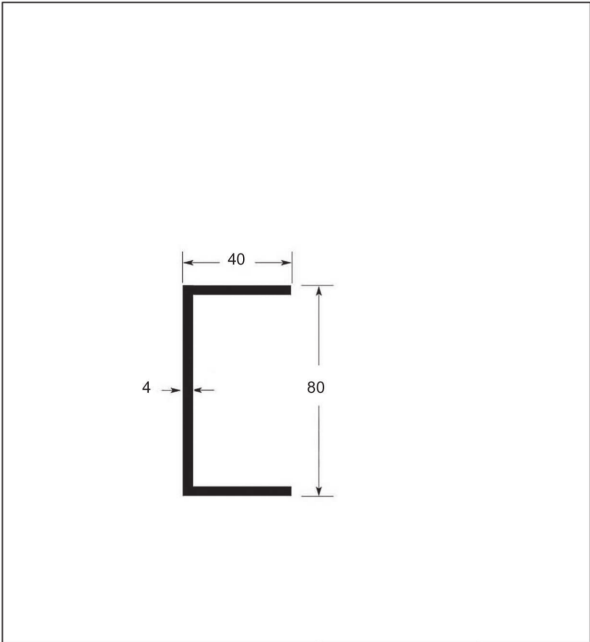
18



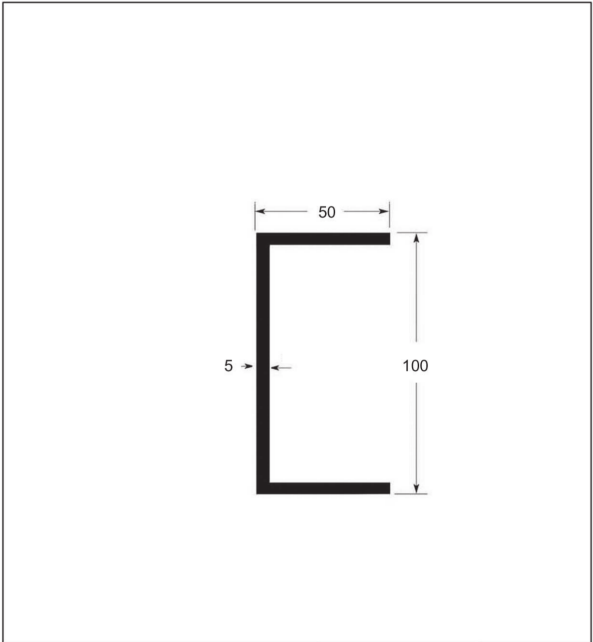
RE-ALL

PROFILI LEGA 6060 - T6 **PROFILES ALLOY 6060 - T6**

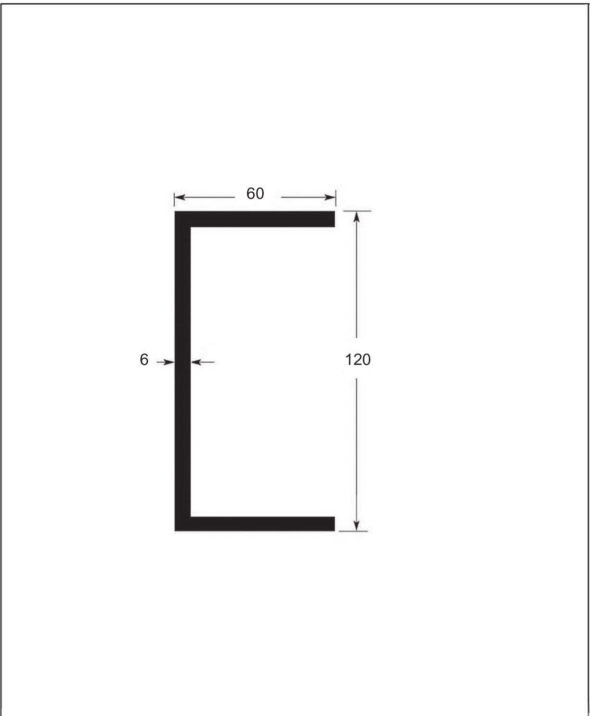
PROFILI A " U " **" U " PROFILES**



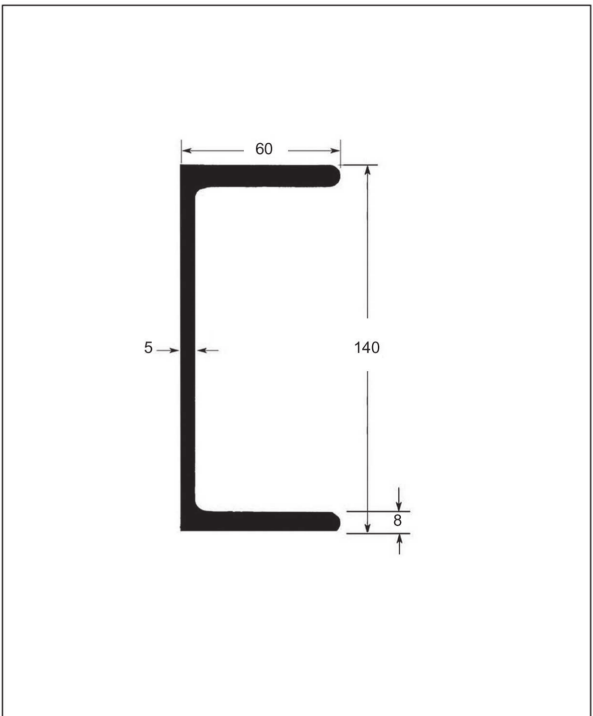
Art.	Lungh. Length	Kg/ml.
80 X 40 X SP.4		
13-06120		1,660
80 X 40 X TH.4		



Art.	Lungh. Length	Kg/ml.
100 X 50 X SP.5		
13-06130		2,660
100 X 50 X TH.5		



Art.	Lungh. Length	Kg/ml.
120 X 60 X SP.6		
13-06140		3,693
120 X 60 X TH.6		



Art.	Lungh. Length	Kg/ml.
140 X 60 X SP.5		
13-06150		4,285
140 X 60 X TH.5		

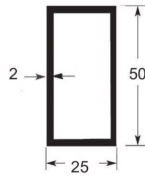
PROFILES FOR LORRY BED

PROFILI LEGA 6060 - T6

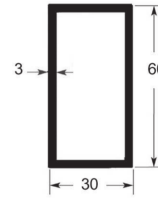
PROFILES ALLOY 6060 - T6

TUBI RETTANGOLARI

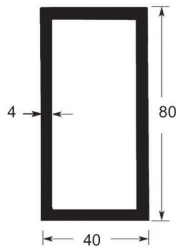
RECTANGULAR PIPES



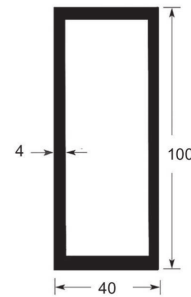
Art.	Lungh. Length	Kg/ml.
50 X 25 X SP. 2		
13-02650		0,784
50 X 25 X TH. 2		



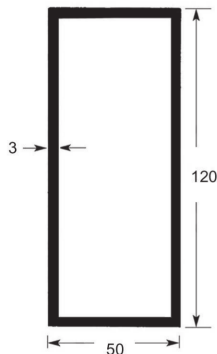
Art.	Lungh. Length	Kg/ml.
60 X 30 X SP. 3		
13-02681		1,330
60 X 30 X TH. 3		



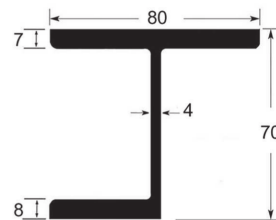
Art.	Lungh. Length	Kg/ml.
80 X 40 X SP. 4		
13-02764		2,410
80 X 40 X TH. 4		



Art.	Lungh. Length	Kg/ml.
100 X 40 X SP. 4		
13-02808		2,920
100 X 40 X TH. 4		



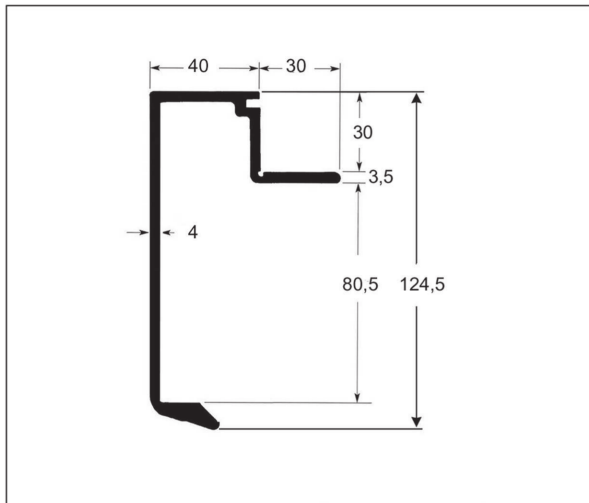
Art.	Lungh. Length	Kg/ml.
120 X 50 X SP. 3		
13-02855		2,660
120 X 50 X SP. 3		



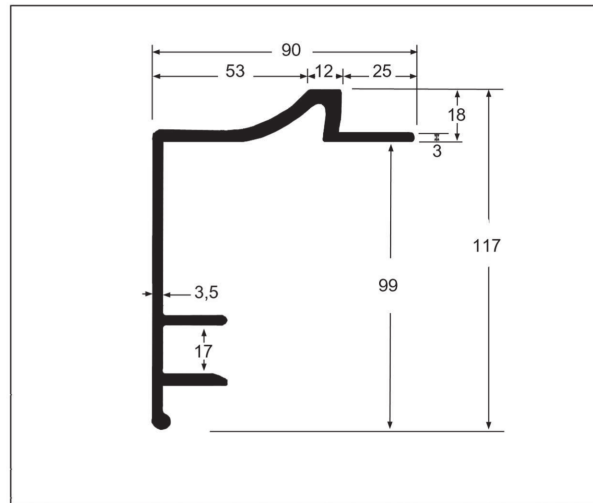
Art.	Lungh. Length	Kg/ml.
Profilo a "J"		
18-00014	6000	3,013
"J" profile		

PROFILI LEGA 6005 - T6

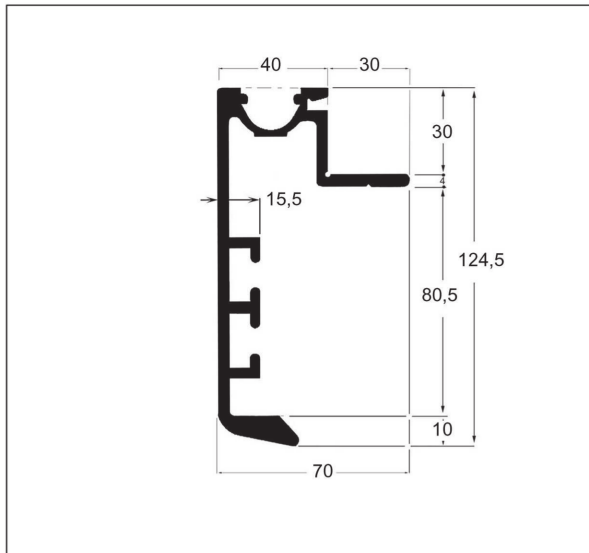
PROFILES ALLOY 6005 - T6



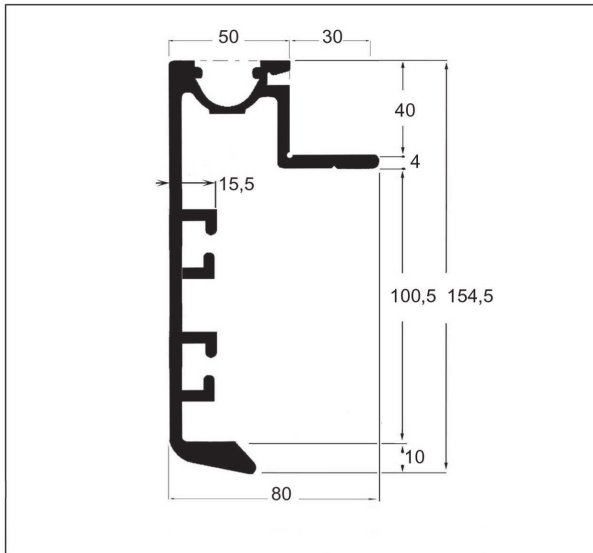
Art.	Lungh. Length	Kg/ml.
Longherina per pavimento da 30 mm		
18-00004	7500	2,249
<i>Profile for floor high 30mm.</i>		



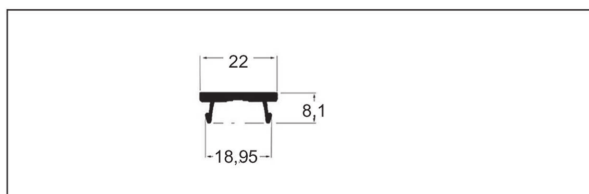
Art.	Lungh. Length	Kg/ml.
Longherina per pavimento da 15 mm		
18-00010	7500	2,596
<i>Profile for floor high 15 mm.</i>		



Art.	Lungh. Length	Kg/ml.
Longh.di testata pav.30mm.		
18-00139	7500	3,387
<i>Profile for floor high 30mm.</i>		



Art.	Lungh. Length	Kg/ml.
Longher.di testata pav.40mm.		
18-00145	7500	4,153
<i>Profile for floor high 40mm.</i>		



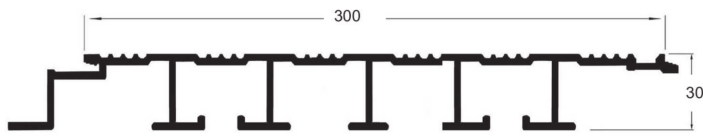
Art.	Lungh. Length	Kg/ml.
Prof. a tappo sede longh.	4500	
18-00138		0,139
<i>Profile fo floor</i>	7500	

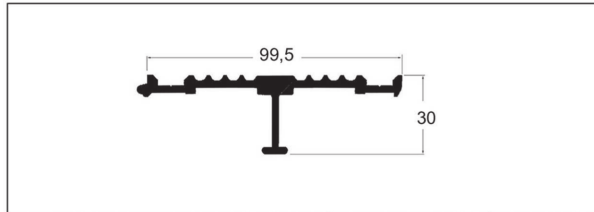
PROFILES FOR LORRY BED

PROFILI LEGA 6005 - T6		PROFILES ALLOY 6005 - T6		
PAVIMENTI DA 30 mm.	FLOOR HIGH 30 mm.	Art.	Lungh. Length	Kg/ml.
		Liscio		
		18-00120	7500	2,458
		Flat		
		Rigato		
		18-00122	7500	3,260
		Lined		
		Rigato scatola		
		18-00123	7500	3,620
		Lined boxed		
		Rigato scatola		
		18-00125	7500	3,648
		Lined boxed		
PAVIMENTI DA 40 mm.		FLOOR HIGH 40 mm.		
		Art.	Lungh. Length	Kg/ml.
		Liscio		
		18-00132	7500	4,321
		Flat		
A RICHIESTA / ON DEMAND 		Rigato		
		18-00134	7500	4,475
		Lined		
		Rigato scatola		
		18-00136	7500	4,217
		Lined boxed		

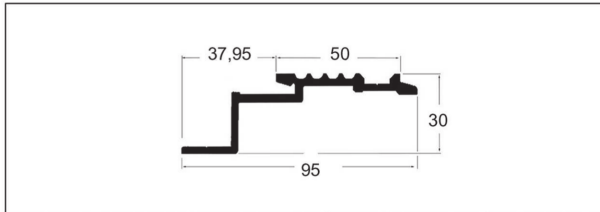
PROFILI LEGA 6005 - T6 **PROFILES ALLOY 6005 - T6**

PROFILI (pavimento da 30 mm.) **PROFILES (floor high 30 mm.)**

	Pavimento da 30 semirigato	6300	
	18-00142		4,914
	Floor high 30 Partially lined	7500	

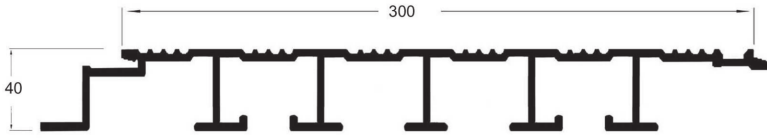


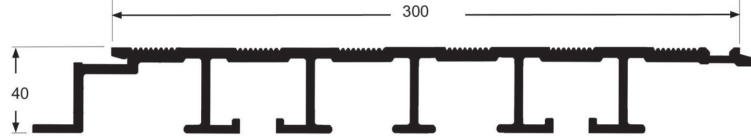
Art.	Lungh.Length	Kg/ml.
jolly 30mm. maschio-maschio per pav.da 30	6300	
18-00140		1,314
jolly 30mm. male-male for floor high 30mm.	7500	

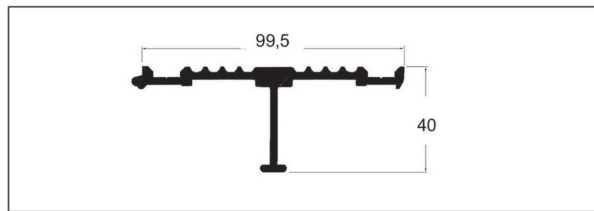


Art.	Lungh.Length	Kg/ml.
jolly 30mm. maschio-femmina per pav.da 30	6300	
18-00141		1,081
jolly 30mm. male-female for floor high 30mm.	7500	

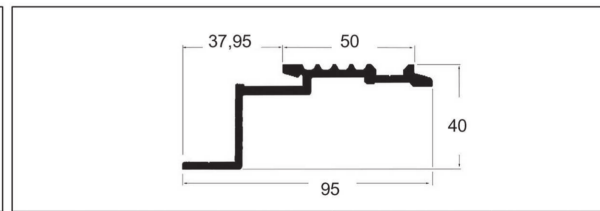
PROFILI (pavimento da 40 mm.) **PROFILES (floor high 40 mm.)**

	Pavimento da 40 semirigato	6300	
	18-00146		6,834
	Floor high 40 Partially lined	7500	

	Pavimento da 40 semirigato		
	18-00159	7500	7,153
	Floor high 40 Partially lined		



Art.	Lungh.Length	Kg/ml.
jolly 40mm. maschio-maschio per pav.da 40	6300	
18-00147		1,609
jolly 40mm. male-male for floor high 40mm.	7500	



Art.	Lungh.Length	Kg/ml.
jolly 40mm. maschio-femmina per pav.da 40	6300	
18-00148		1,352
jolly 40mm. male-female for floor high 40mm.	7500	

PROFILI LEGA 6005 - T6

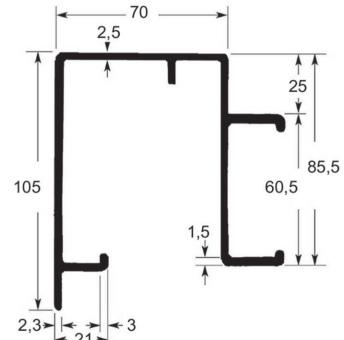
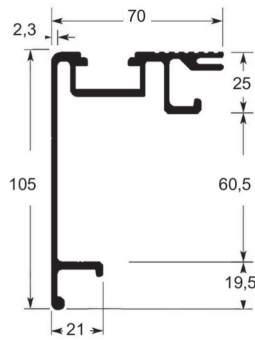
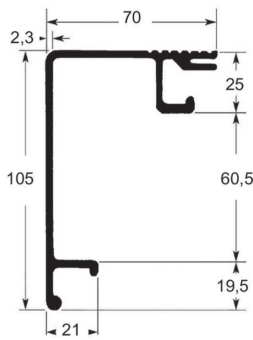
PROFILES ALLOY 6005 - T6

Profili per pianali Plan-kit (pav. alluminio)

Profile for floor Plan-kit (aluminium)

SU RICHIESTA

ON DEMAND



Art.	Lungh. Length	Kg/ml.
Longherina pav.	4400	
18-00150	5500	1,655
Prof. For floor	7520	

Art.	Lungh. Length	Kg/ml.
Longherina pav.	4400	
18-00150/N	5500	1,998
Prof. For floor	7520	

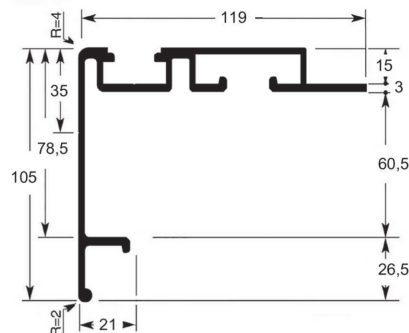
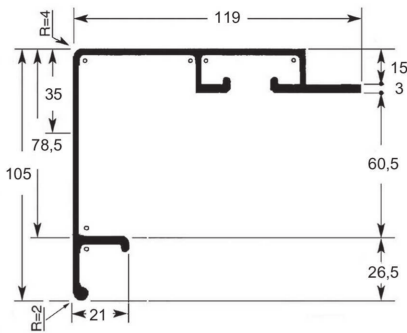
Art.	Lungh. Length	Kg/ml.
Testata		
18-00152	6700	2,185
Prof. For floor		

Profili per pianali Plan-kit (pavimento multistrato)

Profile for floor Plan-kit (wood)

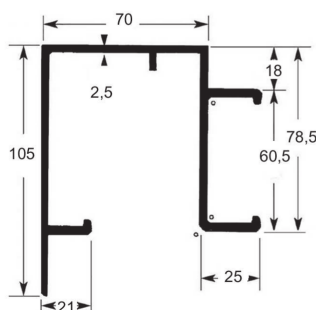
SU RICHIESTA

ON DEMAND



Art.	Lungh. Length	Kg/ml.
Longherina pav.		
18-00151		2,043
Prof. For floor		

Art.	Lungh. Length	Kg/ml.
Longherina pav.	4400	
18-00157		2,419
Prof. For floor	7520	



Art.	Lungh. Length	Kg/ml.
Testata		
18-00153	6700	2,130
Prof. For floor		

PROFILI LEGA 6005 - T6

PROFILES ALLOY 6005 - T6

Profili per pianali Plan-kit

Profile for floor Plan-kit

	Art.	Lungh. Length	Kg/ml.
	Floor high 25 mm.	4500	
	18-00155		2,179
	Pavimento 25 mm.	7530	

	Art.	Lungh. Length	Kg/ml.
	jolly	4400	
	18-00156	5500	0,815
	jolly	7520	

	Art.	Lungh. Length	Kg/ml.
	jolly	4400	
	18-00158	5500	0,880
	jolly	7520	

	Art.	Lungh. Length	Kg/ml.
	Traversa		
	18-00160	6700	1,572
	Profile for floor		

	Art.	Lungh. Length	Kg/ml.
	Cantonale		
	18-00170	7600	1,944
	Corner		

	Art.	Kg/ml.
	Tubo rettangolare 70 x 30 x sp. 3	
	13-02700	1,523
	Rectangular pipes 70 x 30 x Th. 3	

	Art.	Lungh. Length	Kg/ml.
	Tassello H.12		
	18-00166	5000	1,040
	Profile for Plan-kit H.12		

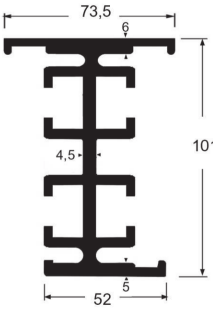
	Art.	Lungh. Length	Kg/ml.
	Tassello H.14		
	18-00168	5000	1,310
	Profile for Plan-kit H.14		

PROFILI LEGA 6005 - T6

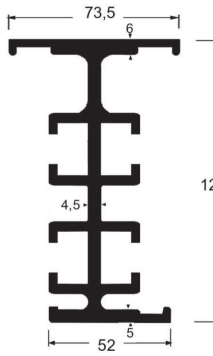
PROFILES ALLOY 6005 - T6

Profili per pianali Plan-kit

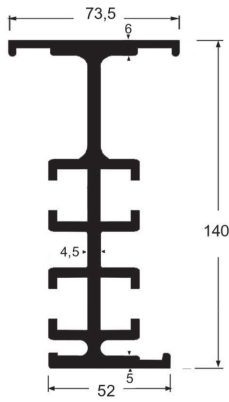
Profile for floor Plan-kit



Art.	Lungh. Length	Kg/ml.
Longherone H.101	4500	
18-00171		4,455
"J" profile H.101	7520	



Art.	Lungh. Length	Kg/ml.
Longherone H.120	4500	
18-00172		4,690
"J" profile H.120	7520	

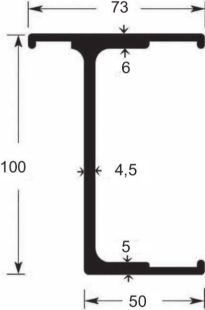


Art.	Lungh. Length	Kg/ml.
Longherone H.140	4500	
18-00173		4,933
"J" profile H.140	7520	

Profili per pianali Plan-kit

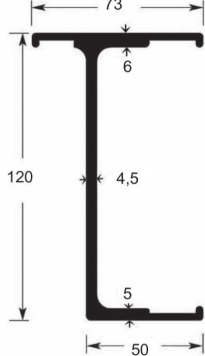
Profile for floor Plan-kit

A RICHIESTA
On demand



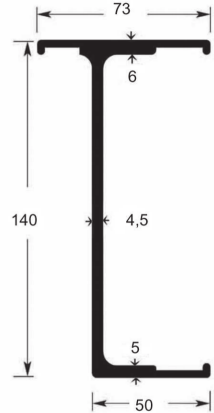
Art.	Lungh. Length	Kg/ml.
Longherone H.100	4500	
18-00162		2,605
"J" profile H.100	7520	

A RICHIESTA
On demand



Art.	Lungh. Length	Kg/ml.
Longherone H.120	4500	
18-00164		2,848
"J" profile H.120	7520	

A RICHIESTA
On demand



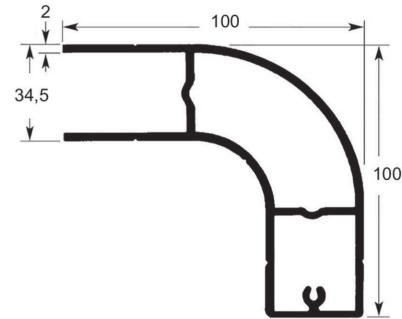
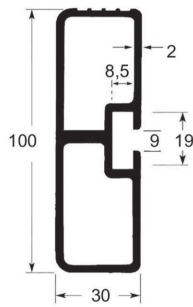
Art.	Lungh. Length	Kg/ml.
Longherone H.140	4500	
18-00165		3,091
"J" profile H.140	7520	

PROFILI LEGA 6060 - T6

PROFILES ALLOY 6060 - T6

PROFILI PER PARACICLI

SIDE PROTECTION PROFILE

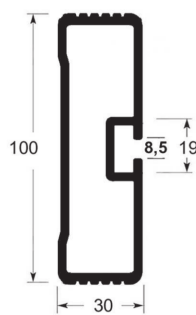


Art.	Lungh. Length	Kg/ml.
Paracicli 100 x 30		
18-00025	7000	1,248
<i>Side protection 100 x 30</i>		

Art.	Lungh. Length	Kg/ml.
Curva per paracicli 100 x 100		
18-00030	5000	2,182
<i>Side protection (corner) 100 x 100</i>		

A RICHIESTA

ON DEMAND



Art.	Lungh. Length	Kg/ml.
Paracicli zigrinato 100 x 30	6000	
18-00026	6500	1,374
<i>Side protection 100 x 30</i>	7500	

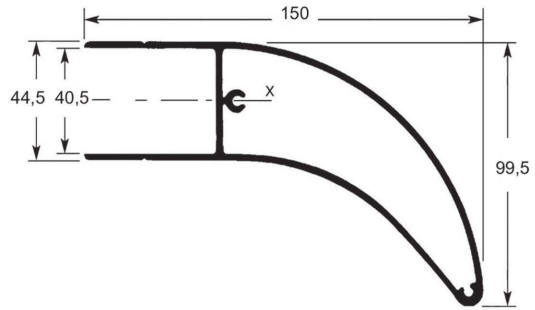
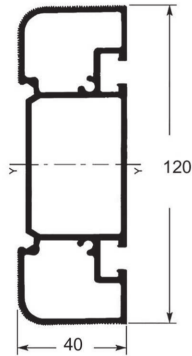
Art.	Lungh. Length	Kg/ml.

PROFILI LEGA 6060 - T6

PROFILES ALLOY 6060 - T6

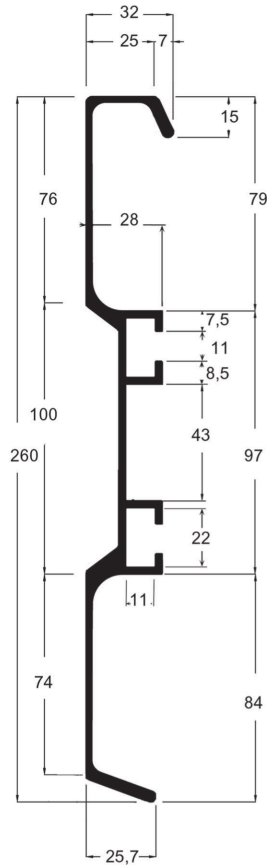
PROFILI PER PARACICLI

SIDE PROTECTION PROFILE



Art.	Lungh.Length	Kg/ml.
Paracicli 120 x 40		
18-00028	7000	2,312
Side protection 120 x 40		

Art.	Lungh.Length	Kg/ml.
Curva per paracicli 150 x 99,5		
18-00029	5000	2,312
Side protection (corner) 150 x 99,5		



Art.	Lungh.Length	Kg/ml.
Paracicli 260 x 32	6000	
18-00040		3,013
Side protection 260 x 32	7500	