

**Cassette
Parafanghi
Taniche
Varie**

**Tool boxes
Mudguards
Water tanks
Various**

40



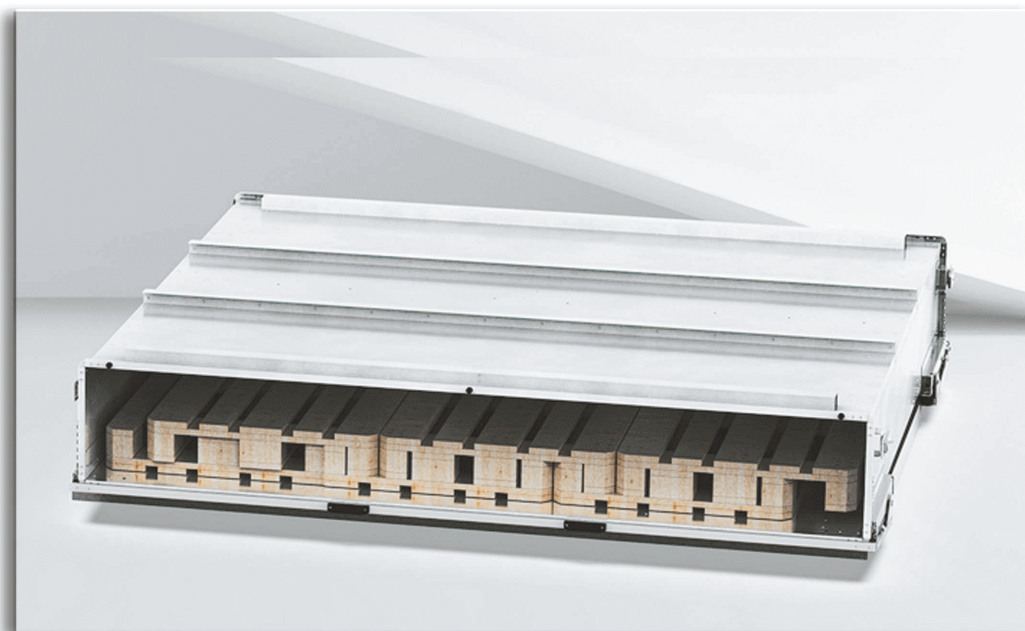
RE-ALL

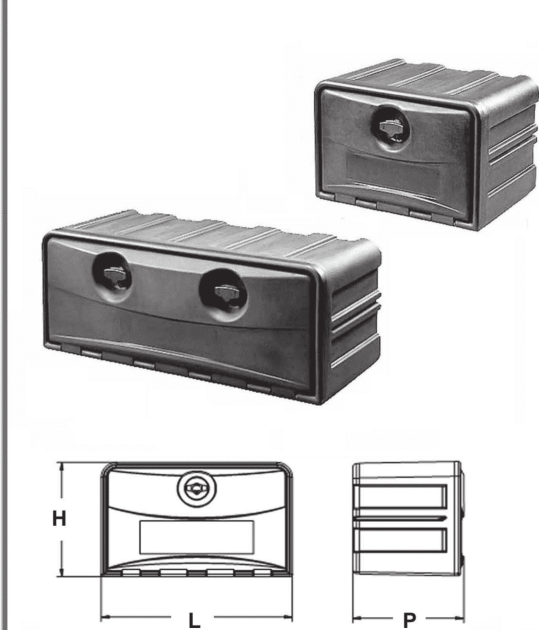
Porta Pallets da 36

Pallet box series 36

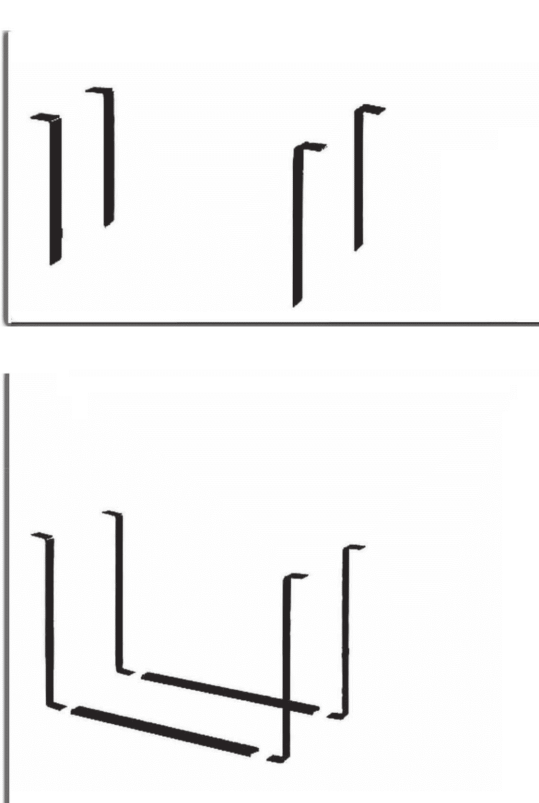


A richiesta / On demand



Cassette porta attrezzi termoplast " TIPO BOX "Thermoplastic tool boxes "BOX TYPE"


Art.	L	H	P	Kg
40-00001	400	350	370	4,500
40-00002	500	400	370	5,800
40-00003	600	400	470	8,400
40-00004	600	450	470	8,600
40-00005	700	500	600	11,000
40-00006	800	400	490	10,600
40-00007	800	500	490	12,700
40-00008	1000	400	490	12,800
40-00009	1000	500	490	14,000
40-00000	1200	500	480	17,000

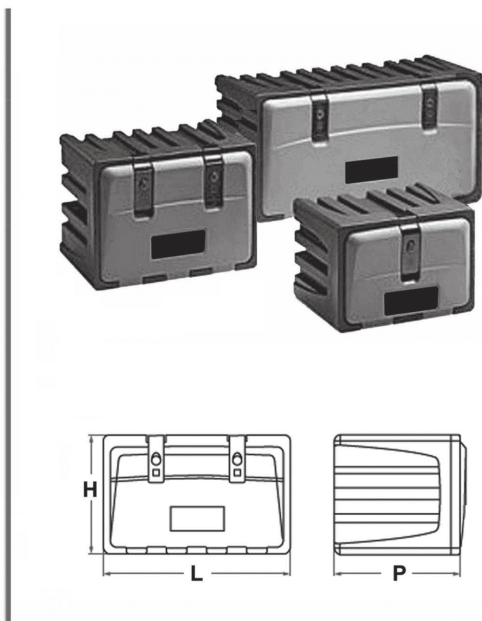
Supporti per cassette termoplast "TIPO BOX"Brackets for thermoplastic tool boxes "BOX TYPE"


Art.	Supporto / Bracket	Kg./Kit
40-00001/S	per art. / for art. 40-00001	1,650
40-00002/S	per art. / for art. 40-00002	1,650
40-00003/S	per art. / for art. 40-00003	6,425
40-00004/S	per art. / for art. 40-00004	5,869
40-00005/S	per art. / for art. 40-00005	5,869
40-00006/S	per art. / for art. 40-00006	6,129
40-00007/S	per art. / for art. 40-00007	6,247
40-00008/S	per art. / for art. 40-00008	6,247
40-00009/S	per art. / for art. 40-00009	6,365
40-00000/S	per art. / for art. 40-00000	6,365

Cassette porta attrezzi termoplast " TIPO VERTIGO "

A RICHIESTA / ON DEMAND

Thermoplastic tool boxes " VERTIGO TYPE "



Art.	L	H	P	Kg
40-00020	400	350	400	5,700
40-00021	500	350	400	6,200
40-00022	600	450	470	9,200
40-00023	600	450	650	10,500
40-00024	700	450	470	10,500
40-00025	700	450	650	12,000
40-00026	750	360	350	7,800
40-00027	800	450	470	11,500
40-00028	1000	500	470	15,000
40-00029	1000	500	650	18,000

Supporti per cassette termoplast " TIPO VERTIGO "

Brackets for thermoplastic tool boxes " VERTIGO TYPE "

A RICHIESTA / ON DEMAND



Art.	Fissaggio pianale Fixing lorry bed	Kg./Kit
40-00020/P	per / for art. 40-00020	4,200
40-00021/P	per / for art. 40-00021	4,200
40-00022/P	per / for art. 40-00022 e 40-00023	5,990
40-00024/P	per / for art. 40-00024 e 40-00025	6,300
40-00026/P	per / for art. 40-00026	6,390
40-00027/P	per / for art. 40-00027	6,570
40-00028/P	per / for art. 40-00028 e 40-00029	7,120



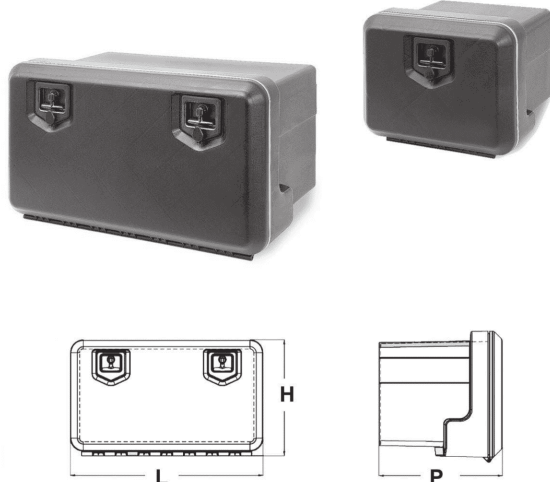
Art.	Fissaggio telaio Fixing frame	Kg./Kit
40-00021/T	per / for art. 40-00020 e 40-00021	4,097
40-00022/T	per / for art. 40-00022 e 40-00023	7,010
40-00024/T	per / for art. 40-00024 e 40-00025	7,310
40-00026/T	per / for art. 40-00026	6,230
40-00027/T	per / for art. 40-00027	7,580
40-00028/T	per / for art. 40-00028 e 40-00029	9,420

Cassette porta attrezzi termoplast

Thermoplastic tool boxes

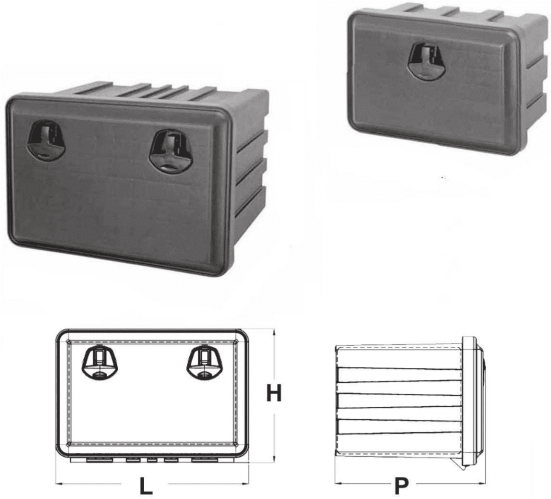
" Tipo Velvet "

A RICHIESTA / ON DEMAND

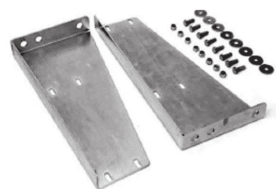


Art.	L	H	P	Kg
40-00013	410	330	340	3,000
40-00014	500	350	400	5,000
40-00015	600	400	500	7,500
40-00016	685	500	500	7,000
40-00017	800	500	500	10,500
40-00018	1000	500	500	13,000
40-00019	1250	520	500	16,000

" Tipo Just "



Art.	L	H	P	Kg
40-00030	500	350	300	3,000
40-00031	500	350	400	3,500
40-00032	600	415	460	5,000
40-00033	750	350	300	4,500
40-00034	750	350	450	5,200
40-00035	826	500	470	7,830
40-00036	1020	500	460	9,950

Supporti per cassette termoplast / *Brackets for thermoplastic tool*

Art.	Kit supporti orizzontali <i>Kit horizontal brackets</i>	Kg./Kit
40-00013/O	art. 40-00013 e 40-00014	2,150
40-00015/O	art. 40-00015-16-17-18-19	4,300
40-00030/O	art. 40-00030 e 40-00031	2,300
40-00032/O	art. 40-00032 e 40-00034	4,300



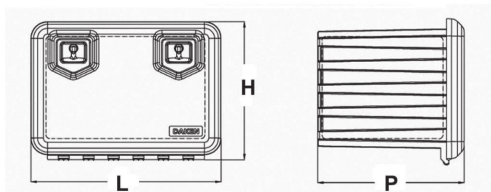
Art.	Kit supporti verticali <i>Kit vertical brackets</i>	Kg./Kit
40-00013/V	art. 40-00013 e 40-00014	1,500
40-00030/V	art. 40-00015-16-17-18-19	1,700
40-00030/V	art. 40-00030-31-32 40-00033-34-35	1,700

Cassette porta attrezzi termoplast

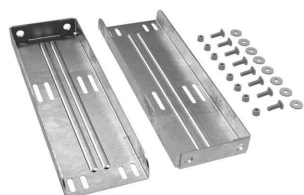
Thermoplastic tool boxes

" Tipo Arka "

A richiesta / On demand



Art.	L	H	P	Kg
40-00300	655	450	470	7,600
40-00302	685	500	500	6,800
40-00304	858	522	500	10,500
40-00306	1062	522	500	13,300
40-00308	1250	522	500	15,400

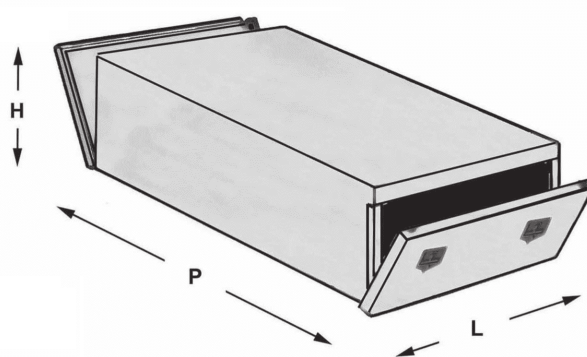


Art. 40-00310

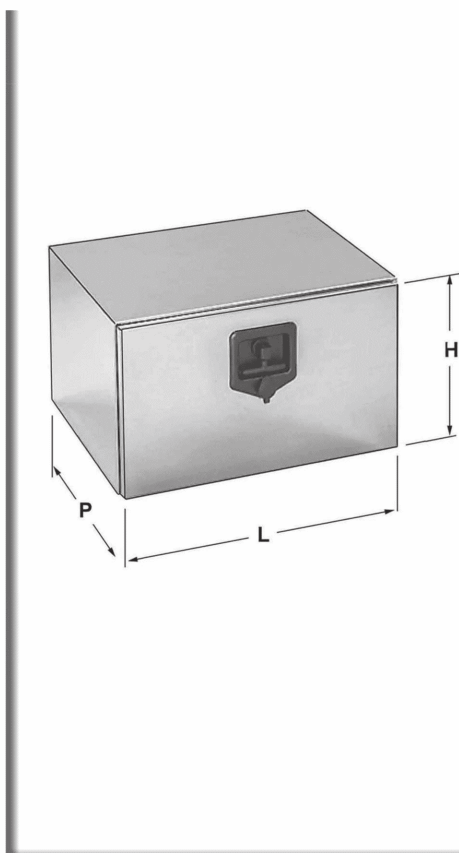
Kit supporti orizzontali zincati per cassette "Arka"
Galv. Kit horizontal brackets for tool boxes "Arka"
(Kg. 4,300)

Cassette porta attrezzi BILATERALI

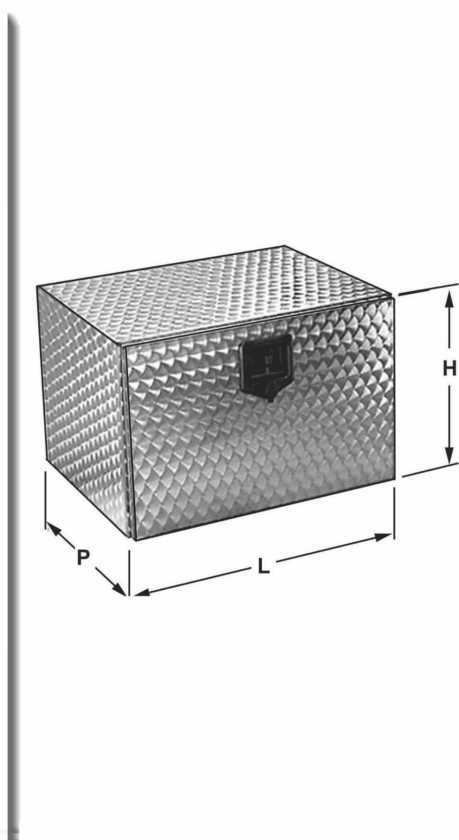
Tool boxes with doors on both sides



Art.	Descrizione / Description	L	H	P	Kg
40-00089	Cassetto a tavellino INOX Stainless steel tool boxes	900	550	2400	55,000
40-00727	Cass. chius.con chiave INOX / FIORETTATE S.s.with antireflex treatm.tool boxes (key lock)	900	550	2400	55,000
40-00824	Cassetto a tavellino ZINCATO Galvanized tool boxes	900	550	2400	51,500

Cassette porta attrezzi INOX (Tavellino incassato)***Stainless steel tool boxes***

Art.	L	H	P	Kg
40-00039 (per 190)	280	270	560	5,200
40-00070	350	500	550	8,200
40-00069	400	300	300	4,200
40-00042	400	300	450	5,500
40-00044	400	320	400	6,000
40-00048	450	350	480	6,600
40-00072	500	350	550	7,900
40-00073	600	300	300	5,900
40-00074	600	350	450	8,300
40-00075	600	400	480	9,500
40-00076	600	500	480	11,000
40-00078	650	450	550	11,400
40-00077	650	500	480	11,200
40-00080	650	600	600	14,200
40-00083	800	400	400	10,000
40-00081	800	500	600	14,000
40-00082	800	600	480	14,000
40-00084	800	600	600	15,500
40-00086	850	600	600	17,000
40-00090	1000	500	600	19,000
40-00087	1000	600	480	19,000
40-00088	1000	600	600	21,000

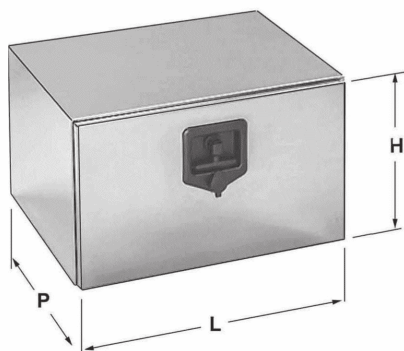
Cassette porta attrezzi "INOX / FIORETTATE" (chiusura con chiave)***Stainless steel tool boxes (with antireflex treatment and with key lock)***

Art.	L	H	P	Kg
40-00710 (per 190)	270	280	560	5,200
40-00713	350	500	550	8,200
40-00712	400	300	300	4,200
40-00730	450	300	400	5,900
40-00711	450	350	480	6,600
40-00714	500	300	400	6,600
40-00732	500	350	480	7,100
40-00715	500	350	550	7,900
40-00716	600	300	300	5,930
40-00717	600	350	450	8,300
40-00718	600	400	480	9,500
40-00719	600	500	480	11,000
40-00721	650	450	550	11,400
40-00720	650	500	500	11,400
40-00722	650	600	600	14,200
40-00729	800	400	400	10,000
40-00728	800	500	480	13,000
40-00735	800	500	600	14,000
40-00723	800	600	480	14,000
40-00724	800	600	600	15,500
40-00725	850	600	600	17,000
40-00734	1000	500	600	19,000
40-00733	1000	600	480	18,500
40-00726	1000	600	600	21,000

Cassette porta attrezzi ZINCATE

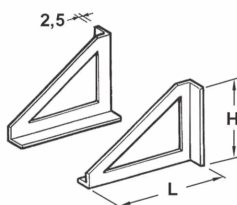
Galvanized tool boxes

Tavellino incassato)

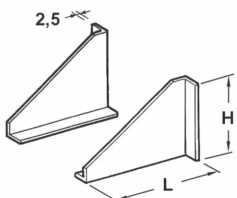


Art.	L	H	P	Kg
40-00799 (x 190)	270	280	560	5,500
40-00800	300	300	300	3,500
40-00801	350	300	300	4,000
40-00802	350	350	350	4,500
40-00827	400	300	300	4,800
40-00803	400	300	450	5,800
40-00804	450	300	300	4,500
40-00809	450	300	250	4,500
40-00806	450	350	400	6,000
40-00805	450	350	480	7,000
40-00808	500	300	300	9,500
40-00807	500	300	400	10,000
40-00810	500	400	450	7,500
40-00812	600	400	480	10,000
40-00813	650	300	300	5,900
40-00815	650	320	600	10,500
40-00814	650	450	500	11,500
40-00826	800	400	400	10,500
40-00816	800	500	600	14,500
40-00825	800	600	480	14,500
40-00817	1000	500	480	17,500
40-00818	1000	500	600	18,500
40-00821	1000	600	480	18,000
40-00819	1000	600	600	19,500
40-00820	1200	500	600	22,000
40-00823	1200	600	600	24,000
40-00822	1300	650	650	28,500

Reggi cassette per cassette porta attrezzi *Brackets for tool boxes*

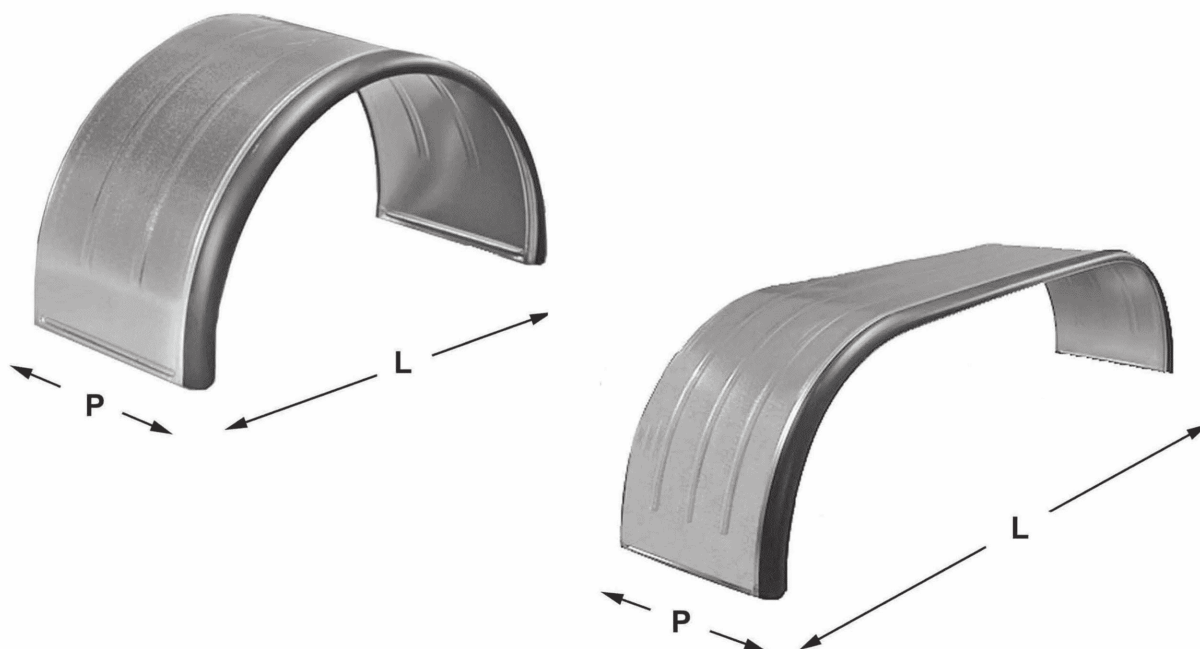


Art.	Tipo / Type	L.	H.	Kg
40-00850	Nere / Raw	370	280	1,185
40-00852	Inox / S. steel	370	280	1,160
40-00851	Nere / Raw	470	370	1,490
40-00853	Inox / S. steel	470	370	1,500

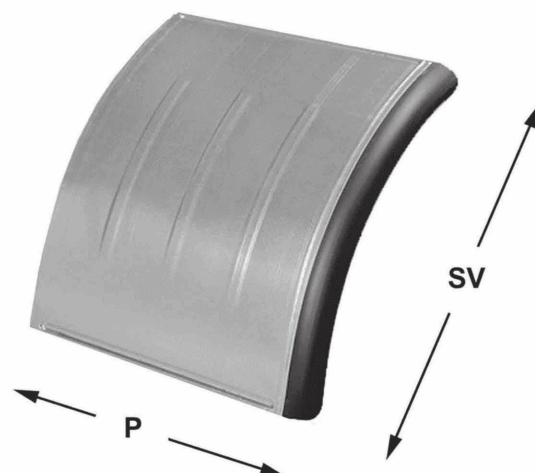


Art.	Tipo / Type	L.	H.	Kg
40-00850Z	Zinc. / Galv.	360	280	1,055
40-00851/Z	Zinc. / Galv.	460	360	1,535

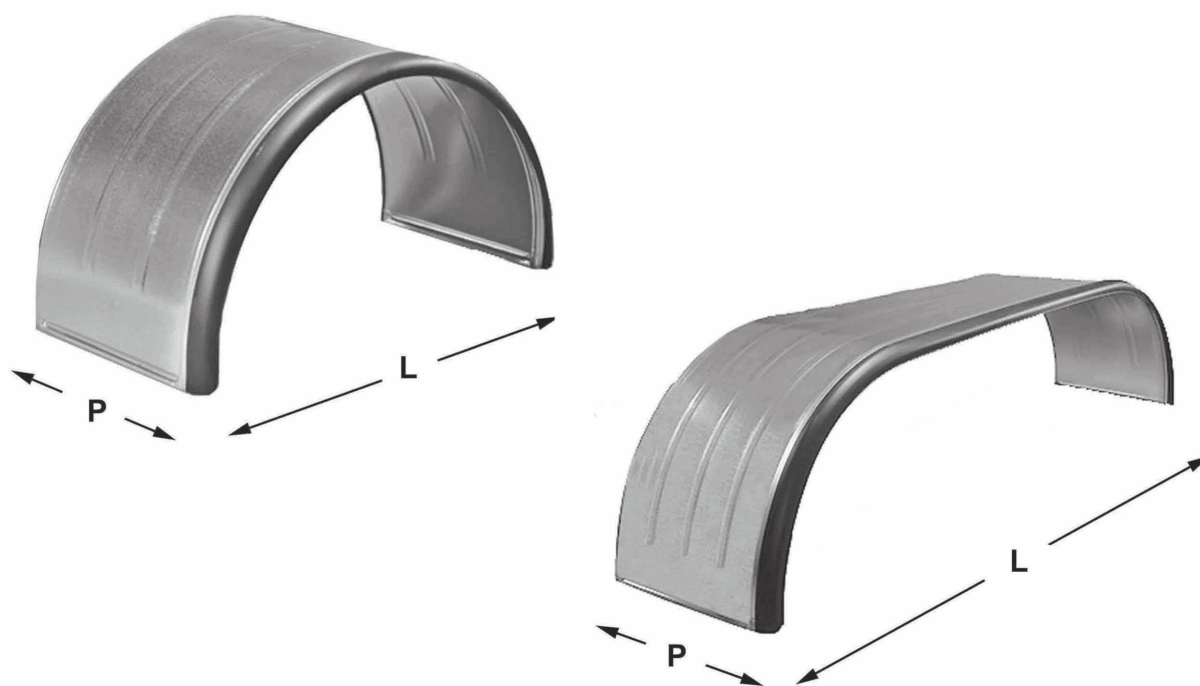
TOOL BOXES - MUDGUARDS - WATER TANKS - VARIOUS

Parafanghi zinco gommaZinc plated mudguards with rubber edge

Art.	TIPO	TYPE	P	L	SV
40-00096	Porter	Porter	150	700	1070
40-00100	Fiat Ducato ruota singola	FIAT Ducato single wheel	240	880	1350
40-00101	Ford Transit ruota singola	FORD Transit single wheel	280	880	1300
40-00095	Parafanghi	Mudguard	350	700	1100
40-00099	Fiat Daily 4 x 4	Fiat Daily 4 x 4	350	880	1470
40-00098	Fiat Daily	Fiat Daily	400	900	1440
40-00103	Fiat Daily ruota gemellata	FIAT Daily double wheel	400	880	1360
40-00105	OM. 40/35	OM. 40/35	425	1000	1500
40-00103L	Fiat Daily	Fiat Daily	450	880	1360
40-00106	Fiat 50 Daily 59-12	Fiat 50 Daily 59-12	450	1000	1500
40-00115	Ruota pilota	single wheel	450	1340	2100
40-00107	Fiat 60-70-79-Eurocargo 65-80	Fiat 60-70-79-Eurocargo 65-80	500	1000	1650
40-00108	Fiat 80-90	Fiat 80-90	500	1120	1750
40-00125	Tipo 4 assi	Type 4 axis	500	4100	4900
40-00126	Tipo 3 assi ruote pilota	Type 3 axis	500	2740	3500
40-00127	Tipo ruote pilota	single wheel	500	1340	2100
40-00109	Fiat 95 - Eurocargo	Fiat 95 - Eurocargo	550	1000	1650
40-00111	Fiat 109 - 115 2° serie	Fiat 109 - 115 2° serie	550	1110	1750
40-00116	Fiat 110 - 130	Fiat 110 - 130	550	1260	2000
40-00118	Tipo 3 assi	Type 3 axis	550	2550	3300
40-00113	Fiat 135 - 17 2° serie - Eur.120	Fiat 135 - 17 2° serie - Eur.120	600	1115	1800
40-00119	Tipo 3 assi	Type 3 axis	600	2640	3400
40-00129	Tipo FIAT 180	Tipo FIAT 180	600	1340	2100
40-00124	Tipo Eurocargo 150	Tipo Eurocargo 150	650	1200	1900
40-00114	Fiat 145	Fiat 145	650	1115	1800
40-00117	Fiat 180 - 190	Fiat 180 - 190	650	1340	2100
40-00120	Tipo 3 assi	Type 3 axis	650	2740	3500
40-00121	Tipo 4 assi	Type 4 axis	650	4100	4900
40-00128	Tipo cisterna	Type tankers	700	7500	8300

Mezzi parafanghi zinco gommaZinc plated half mudguards with rubber edge

Art.	TIPO	TYPE	P	SV
40-00155	Mezzo parafango	Half mudguard	450	600
40-00152	Mezzo parafango	Half mudguard	450	1000
40-00140	Mezzo parafango	Half mudguard	500	600
40-00141	Mezzo parafango	Half mudguard	500	700
40-00142	Mezzo parafango	Half mudguard	500	800
40-00147	Mezzo parafango	Half mudguard	500	950
40-00136	Mezzo parafango	Half mudguard	500	1000
40-00138	Mezzo parafango	Half mudguard	550	600
40-00143	Mezzo parafango	Half mudguard	550	800
40-00144	Mezzo parafango	Half mudguard	600	600
40-00145	Mezzo parafango	Half mudguard	600	700
40-00146	Mezzo parafango	Half mudguard	600	800
40-00156	Mezzo parafango	Half mudguard	600	950
40-00139	Mezzo parafango	Half mudguard	600	1200
40-00157	Mezzo parafango	Half mudguard	650	650
40-00154	Mezzo parafango	Half mudguard	650	700
40-00148	Mezzo parafango	Half mudguard	650	800
40-00153	Mezzo parafango	Half mudguard	650	950
40-00137	Mezzo parafango	Half mudguard	650	1000
40-00149	Mezzo parafango	Half mudguard	650	1200

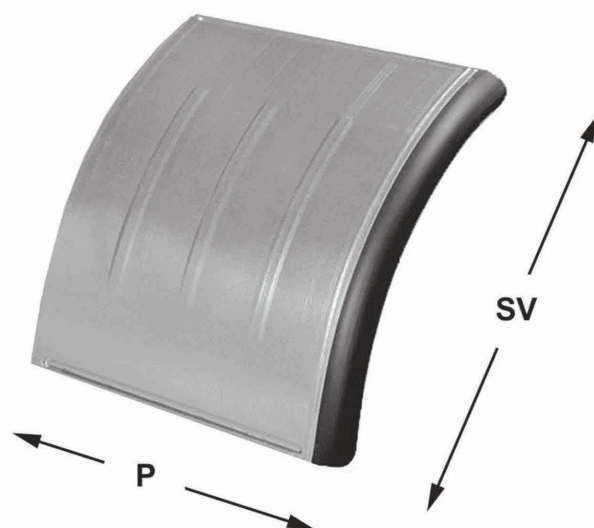
Parafanghi INOX con bordo gommaStainless steel mudguards with rubber edge

(*) in esaurimento

Art.	TIPO	TYPE	P	L	SV
40-00202	(*) Ford Transit ruota gemellata	Ford Transit double wheel	400	810	1350
40-00203	Fiat Daily	Fiat Daily	400	880	1360
40-00205	Fiat OM - 40/35	Fiat OM - 40/35	425	1000	1500
40-00203/L	Parafango INOX/6 per Daily	Mudguard S.s./6 for Daily	450	880	1360
40-00206	Fiat 50 - Daily 5912	Fiat 50 - Daily 5912	450	1000	1500
40-00215	Ruota pilota	single wheel	450	1340	2100
40-00207	Fiat 60-70-79-Eurocar.65-80	Fiat 60-70-79-Eurocar.65-80	500	1000	1650
40-00208	Fiat 80-90	Fiat 80-90	500	1120	1750
40-00225	Tipo 4 assi	type 4 axis	500	4100	4900
40-00209	Fiat 95- Eurocargo 100	Fiat 95- Eurocargo 100	550	1000	1650
40-00211	Fiat 109-115 2° serie	Fiat 109-115 2° serie	550	1110	1750
40-00216	Fiat 110-130	Fiat 110-130	550	1200	1850
40-00218	Tipo 3 assi	type 3 axis	550	2550	3300
40-00213	Fiat 135-17 2° serie-Euro 120	Fiat 135-17 2° serie-Euro 120	600	1115	1800
40-00219	Tipo 3 assi	type 3 axis	600	2640	3400
40-00214	Fiat 145	Fiat 145	650	1200	1900
40-00217	Fiat 180-190	Fiat 180-190	650	1340	2100
40-00220	Tipo 3 assi	type 3 axis	650	2740	3500
40-00221	Tipo 4 assi	type 4 axis	650	4100	4900
40-00222	Tipo 3 assi Fiat 145	type 3 axis for Fiat 145	650	2450	3080
40-00224	Eurocargo 150	Eurocargo 150	650	1250	2000
40-00228	(*) Tipo autocisterna	Type tankers	700	7500	8300

Mezzi Parafanghi INOX con bordo gomma

Stainless steel half mudguards with rubber edge



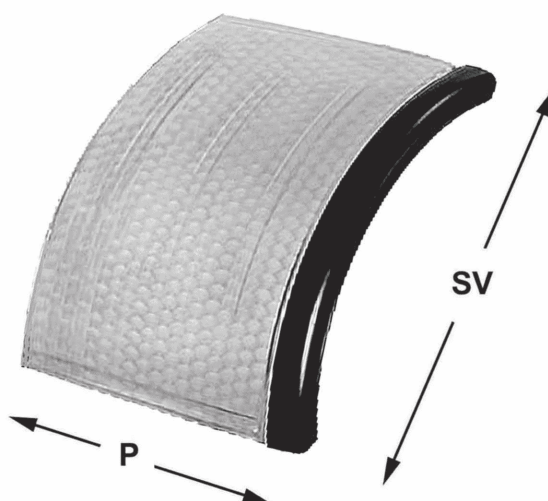
(*) in esaurimento

Art.	TIPO	TYPE	P	SV
40-00240	Mezzo parafango	Half mudguard	500	600
40-00241	Mezzo parafango	Half mudguard	500	700
40-00242	Mezzo parafango	Half mudguard	500	800
40-00239	Mezzo parafango	Half mudguard	500	1000
40-00238	(*) Mezzo parafango	Half mudguard	550	650
40-00243	Mezzo parafango	Half mudguard	550	800
40-00252	Mezzo parafango	Half mudguard	550	950
40-00244	Mezzo parafango	Half mudguard	600	600
40-00245	Mezzo parafango	Half mudguard	600	700
40-00246	Mezzo parafango	Half mudguard	600	800
40-00247	Mezzo parafango	Half mudguard	600	1000
40-00251	Mezzo parafango	Half mudguard	650	600
40-00250	Mezzo parafango	Half mudguard	650	700
40-00248	Mezzo parafango	Half mudguard	650	800
40-00249	Mezzo parafango	Half mudguard	650	1200

Parafanghi INOX FIORETTATI con bordo gomma***Stainless steel mudguards (anti reflex treatment) with rubber edge***

Art.	TIPO	TYPE	P	L	SV
40-01400	Fiat Ducato ruota singola	<i>Fiat Ducato single wheel</i>	240	850	1350
40-01401	Ford Transit ruota singola	<i>Ford Transit single wheel</i>	280	880	1350
40-01403	Fiat Daily	<i>Fiat Daily</i>	400	880	1360
40-01403/L	Fiat Daily	<i>Fiat Daily</i>	450	880	1360
40-01405	Fiat OM - 40/35	<i>Fiat OM - 40/35</i>	425	1000	1500
40-01406	Fiat 50 - Daily 5912	<i>Fiat 50 - Daily 5912</i>	450	1000	1500
40-01415	Ruota pilota	<i>single wheel</i>	450	1340	2100
40-01407	Fiat 60-70-79-Euroc. 65-80	<i>Fiat 60-70-79-Euroc. 65-80</i>	500	1000	1650
40-01408	Fiat 80-90	<i>Fiat 80-90</i>	500	1120	1750
40-01425	Tipo 4 assi	<i>Type 4 axis</i>	500	4100	5000
40-01409	Fiat 95 - Eurocargo 100	<i>Fiat 95 - Eurocargo 100</i>	550	1000	1650
40-01411	Fiat 109-115 2a serie	<i>Fiat 109-115 2a serie</i>	550	1110	1750
40-01416	Fiat 110 - 130	<i>Fiat 110 - 130</i>	550	1200	1850
40-01418	Tipo 3 assi	<i>Type 3 axis</i>	550	2550	3300
40-01413	Fiat 135-17 2a serie-Euro. 120	<i>Fiat 135-17 2a serie-Euro. 120</i>	600	1115	1800
40-01419	Tipo 3 assi	<i>Type 3 axis</i>	600	2640	3400
40-01414	Fiat 145	<i>Fiat 145</i>	650	1115	1800
40-01417	Fiat 180 - 190	<i>Fiat 180 - 190</i>	650	1340	2100
40-01420	Tipo 3 assi	<i>Type 3 axis</i>	650	2740	3500
40-01421	Tipo 4 assi	<i>Type 4 axis</i>	650	4100	4900
40-01422	Tipo 3 assi Fiat 145	<i>Type 3 axis Fiat 145</i>	650	2450	3080
40-01424	Tipo Eurocargo 150	<i>Tipo Eurocargo 150</i>	650	1200	1900

Mezzi Parafanghi INOX FIORETTATI con bordo gomma
Stainless steel half mudguards (anti reflex treatment) with rubber edge



Art.	TIPO	TYPE	P	SV
40-01440	Mezzo parafango	Half mudguard	500	600
40-01441	Mezzo parafango	Half mudguard	500	700
40-01442	Mezzo parafango	Half mudguard	500	800
40-01437	Mezzo parafango	Half mudguard	500	950
40-01443	Mezzo parafango	Half mudguard	550	800
40-01439	Mezzo parafango	Half mudguard	550	950
40-01444	Mezzo parafango	Half mudguard	600	600
40-01445	Mezzo parafango	Half mudguard	600	700
40-01446	Mezzo parafango	Half mudguard	600	800
40-01447	Mezzo parafango	Half mudguard	600	1000
40-01450	Mezzo parafango	Half mudguard	650	600
40-01451	Mezzo parafango	Half mudguard	650	700
40-01448	Mezzo parafango	Half mudguard	650	800
40-01438	Mezzo parafango	Half mudguard	650	950
40-01449	Mezzo parafango	Half mudguard	650	1200

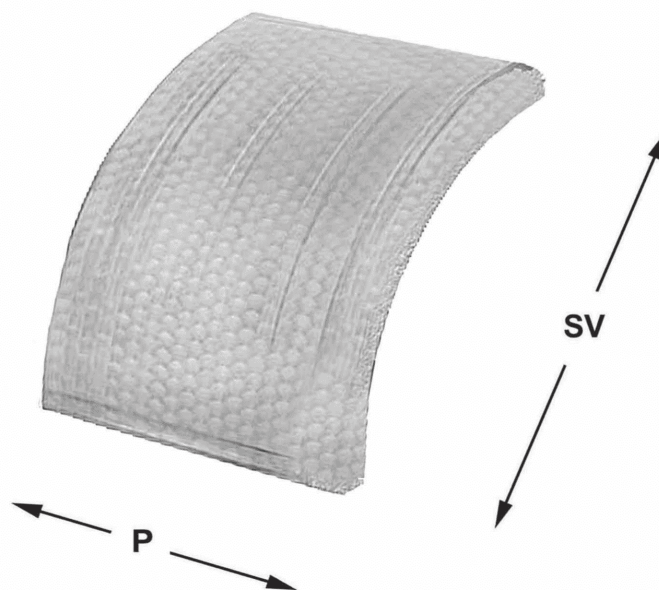
Parafanghi interamente INOX FIORETTATI***Stainless steel mudguards (antireflex treatment)*****A richiesta / On demand**

Art.	TIPO	TYPE	P	L	SV
40-01600	Fiat Ducato ruota singola	Fiat Ducato single wheel	240	900	1350
40-01601	Ford Transit ruota singola	Ford Transit single wheel	280	880	1360
40-01603	Fiat Daily	Fiat Daily	400	880	1360
40-01603L	Fiat Daily largo	Fiat Daily	450	880	1360
40-01605	Fiat OM-40/35	Fiat OM-40/35	425	1000	1500
40-01606	Fiat 50 - Daily 5912	Fiat 50 - Daily 5912	450	1000	1500
40-01607	Fiat 60-70-79-Eurocargo 65-80	Fiat 60-70-79-Eurocargo 65-80	500	1000	1600
40-01608	Fiat 80-90	Fiat 80-90	500	1120	1750
40-01609	Fiat 95 - Eurocargo 100	Fiat 95 - Eurocargo 100	550	1000	1600
40-01611	Fiat 109-115 2a serie	Fiat 109-115 2a serie	550	1110	1750
40-01613	Fiat 135-17 2a serie - Euroc. 120	Fiat 135-17 2a serie - Euroc. 120	600	1115	1800
40-01614	Fiat 145	Fiat 145	650	1115	1800
40-01616	Fiat 110 - 130	Fiat 110 - 130	550	1200	1850
40-01617	Fiat 180 - 190	Fiat 180 - 190	650	1340	2100
40-01618	Tipo 3 assi	Type 3 axis	550	2550	3300
40-01619	Tipo 3 assi	Type 3 axis	600	2640	3400
40-01620	Tipo 3 assi	Type 3 axis	650	2740	3500
40-01621	Tipo 4 assi	Type 4 axis	650	4100	4900
40-01622	Tipo 3 assi Fiat 145	Type 3 axis Fiat 145	650	2450	3080
40-01624	Tipo Eurocargo 150	Tipo Eurocargo 150	650	1250	2000
40-01625	Tipo 4 assi	Type 4 axis	500	4100	4900

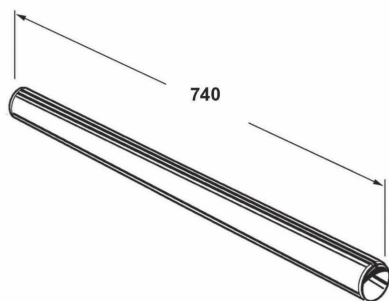
Mezzi parafanghi interamente INOX fiorettati

Stainless steel half mudguards (anti reflex treatment)

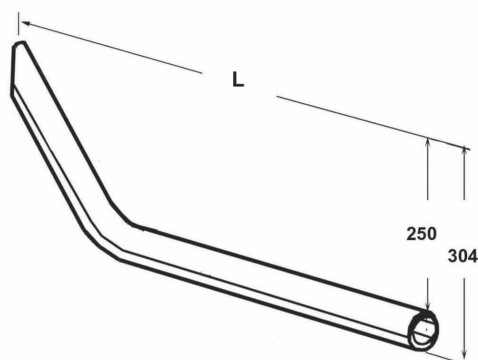
A richiesta / On demand



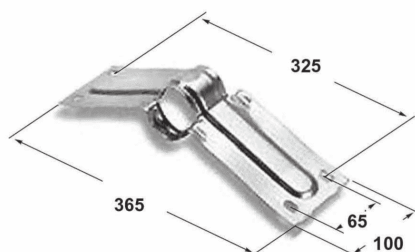
Art.	TIPO	TYPE	P	SV
40-01639	Mezzo parafango	Half mudguard	500	950
40-01640	Mezzo parafango	Half mudguard	500	600
40-01641	Mezzo parafango	Half mudguard	500	700
40-01642	Mezzo parafango	Half mudguard	500	800
40-01643	Mezzo parafango	Half mudguard	550	800
40-01644	Mezzo parafango	Half mudguard	600	600
40-01645	Mezzo parafango	Half mudguard	600	700
40-01646	Mezzo parafango	Half mudguard	600	800
40-01647	Mezzo parafango	Half mudguard	600	1000
40-01650	Mezzo parafango	Half mudguard	650	600
40-01648	Mezzo parafango	Half mudguard	650	800
40-01649	Mezzo parafango	Half mudguard	650	1200

Accessori per parafanghi tubo D.54**Accessories for mudguards tube D. 54****Tubo sciolto diritto / Straight tube**

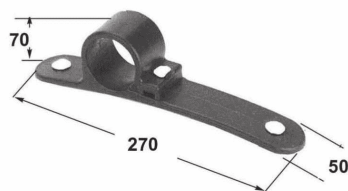
Art.	Tipo / Type	D.	L	Kg
40-00345	Grezzo / Raw	54	740	2,900
40-00346	Zinc. / Galv.	54	740	2,900
40-00347	Inox / S.s.	54	740	1,720

**Tubo sciolto sagomato / Ben tube**

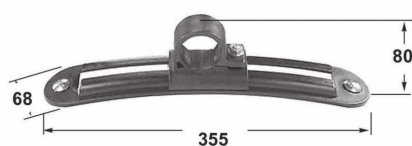
Art.	Tipo / Type	D.	L	Kg
40-00370	Grezzo / Raw	54	740	3,180
40-00371	Zinc. / Galv.	54	800	3,180
40-00372	Inox / S.s.	54	800	2,135
40-00373	Grezzo / Raw	54-30/10	740	3,180

**Fazzoletto per tubo D.54
Bracket for tube D.54**

Art.	Tipo / Type	Kg
40-00340	Grezzo / Raw	0,556
40-00341	Zinc. / Galv.	0,556
40-00342	Inox / S.s.	0,680
40-00342/F	Inox fiorettato S.s. anti reflex treatment	0,680

**Art. 40-00343**

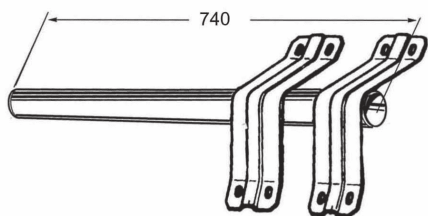
(Kg.0,271)

Fazzoletto in nylon per tubo D.54
Nylon bracket for tube D.54**Art. 40-00344**

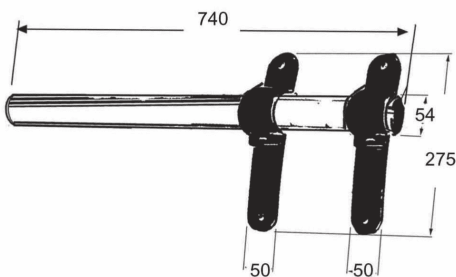
(Kg.0,314)

Fazzoletto registrabile in nylon per tubo D.54
Nylon adjustable bracket for tube D.54

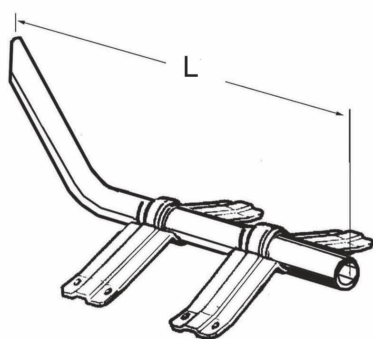
Kit staffa registrabile (tubi +fazzoletti) Kit adjustable (tube+bracket)



Kit registrabile tubo diritto D.54 con fazzoletti Kit adjustable straight tube D.54 with brackets				
Art.	Tipo Type	L.	Fazzoletti Brackets	Kg
40-00350	Grezzo / Raw	740	(art.40-00340)	4,012
40-00351	Zinc. / Galv.	740	(art. 40-00341)	4,012
40-00349	Inox / S.s.	740	(art. 40-00342)	3,082



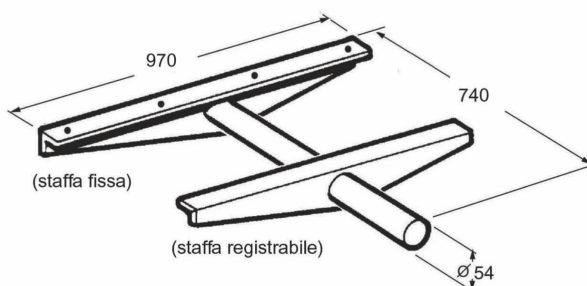
Kit registrabile tubo diritto D.54 con fazzoletti Kit adjustable straight tube D.54 with brackets				
Art.	Tipo Type	L.	Fazzoletti Brackets	Kg
40-00348	Zinc. / Galv.	740	(art.40-00343)	3,442
40-00369	Zinc. / Galv.	740	(art. 40-00344)	3,528



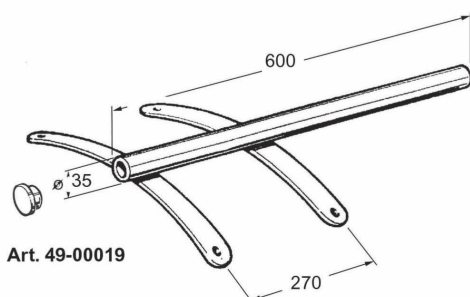
Kit registrabile tubo sagomato D.54 con fazzoletti Kit adjustable bent tube D.54 with brackets				
Art.	Tipo Type	L.	Fazzoletti Brackets	Kg
40-00366	Grezzo / Raw	775	(art.40-00340)	4,292
40-00367	Zinc. / Galv.	740	(art.40-00341)	4,292
40-00368	Inox / S.s.	775	(art.40-00342)	3,497

Staffe parafango

Bracket for mudguards

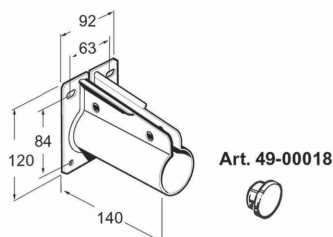


Staffa intermedia per parafango 3 assi Bracket for mudguards 3 axis				
Art.	Tipo / Type	L.	Tubo D.	Kg
40-00355	Grezzo / Raw	740	54	6,000
40-00356	Zinc. / Galv.	740	54	6,000
40-00357	Inox / S.s.	740	54	6,000



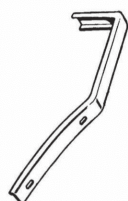
Staffa parafango tubo D.35 Bracket for mudguards tube D.35				
Art.	Tipo / Type	L.	Tubo/Tube D.	Kg
40-00363	Grezzo / Raw	600	35	1,759
40-00364	Zinc. / Galv.	600	35	1,718
49-00019	Tappo pvc per tubo D.35 / Tube end cap D.35(PVC)			0,009

TOOL BOXES - MUDGUARDS - WATER TANKS - VARIOUS

Accessori per parafanghiAccessories for mudguards**Art. 40-00359**

(Kg.0,979)

Supporto rinforzato zincato per tubo D.54
Zinc plated reinforced bracket for tube D.54

**Art. 40-00352**

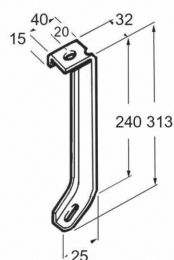
(Kg.0,377)

Staffa grezza per parafango (Daily-Gamma Z)
Raw bracket for mudguard (Daily - Z series)

Art. 40-00353

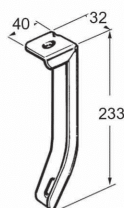
(Kg.0,385)

Staffa zincata per parafango (Daily-Gamma Z)
Zinc Plated bracket for mudguard (Daily- Z Series)

**Art. 40-00360**

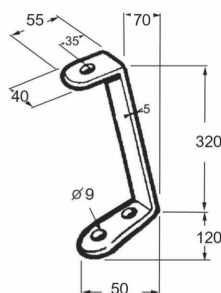
(Kg.0,228)

Staffa leggera zinc. per parafango
Zinc plated light bracket for mudguard

**Art. 40-00365**

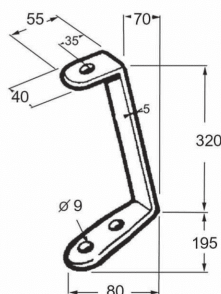
(Kg.0,168)

Staffa leggera zincata per parafango per PLAN-KIT
Zinc plated light bracket for mudguard for PLAN-KIT

**Art. 40-00361**

(Kg.0,753)

Staffa media zincata per parafango
Zinc plated medium bracket for mudguard

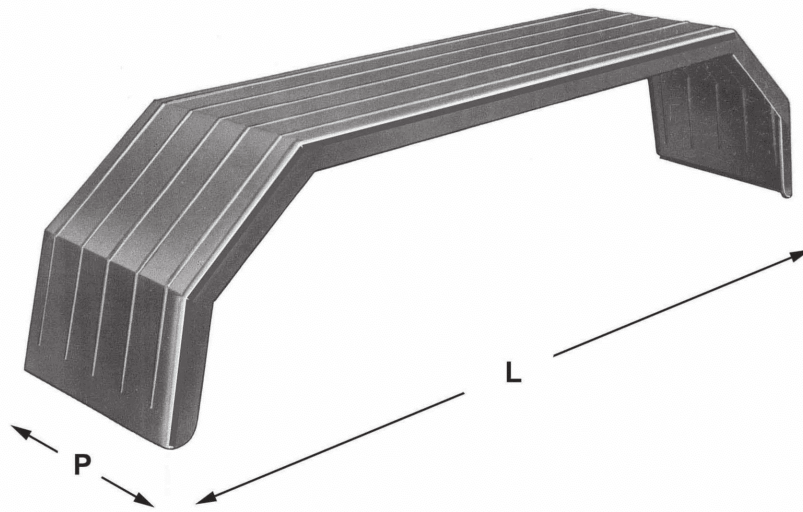
**Art. 40-00362**

(Kg.0,843)

Staffa pesante zincata per parafango
Zinc plated heavy bracket for mudguard

PARAFANGHI NERI

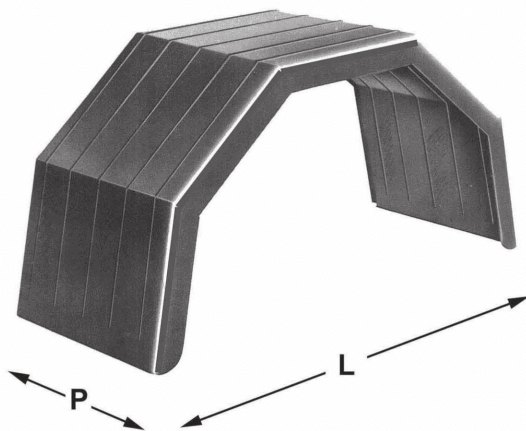
IRON MUDGUARDS



Art. 40-00318

Parafango nero 3 assi per cava sp.20/10
 Iron mudguard for 3 axis (thickness 20/10)

P.650 x L.2700 x Sv.3500
 P.650 x L.2700 x Sv.3500

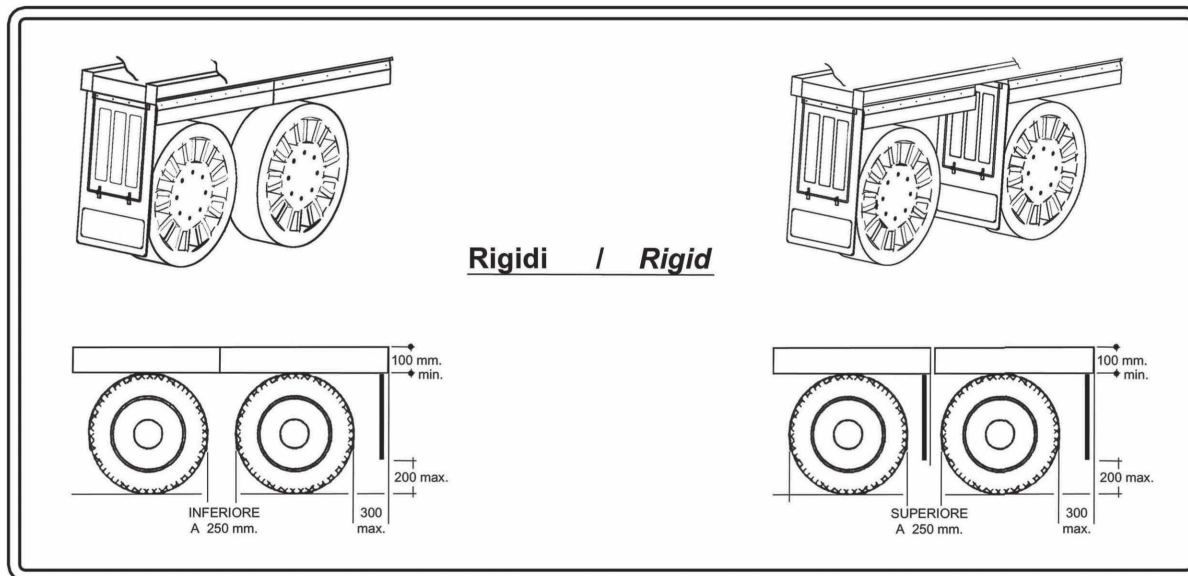


Art. 40-00319

Parafango nero asse singolo per cava
 Iron mudguard single axis

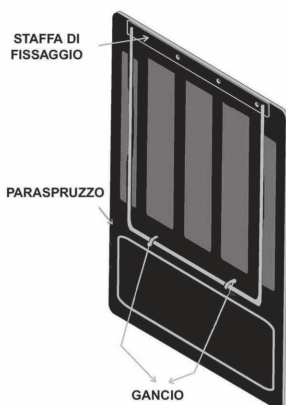
P.650 x L.1400 x Sv.2200
 P.650 x L.1400 x Sv.2200

Paraspruzzi antiturbolenza "STOP-SPRAY"(omologati)

ANTISPRAY MUDFLAPS (omologated)**Rigidi / Rigid****Art. 40-00190**

(Kg.3,000)

Mantella laterale da applicare su ogni asse 1318x180 (da centro foro)
 Side edge to fix on each axis 1318x180 (from the center hole)

**Art. 40-00150**

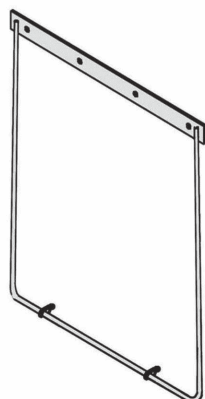
(Kg.6,000)

Paraspruzzo antiturbolenza rigido L=600 x H.900
 Antispray mudflap L=600 x H=900

Art. 40-00151

(Kg.4,500)

Paraspruzzo antiturbolenza rigido L=500 x H.900
 Antispray mudflap L=500 x H=900

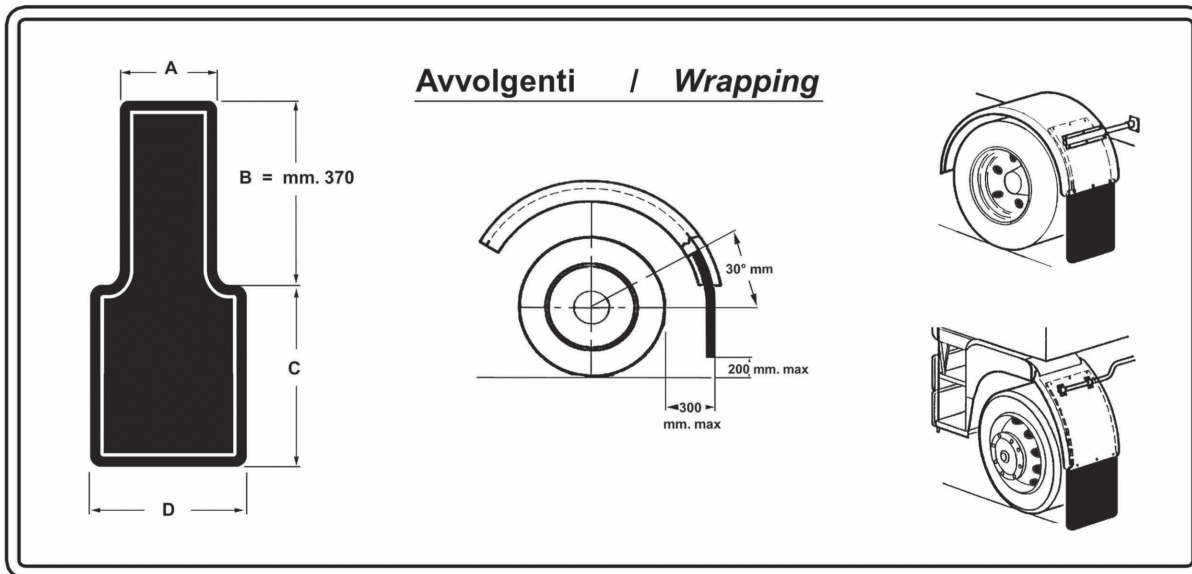
**Art. 40-00158**

(Kg.1,705)

Staffa di fissaggio completa di ganci per paraspruzzi antiturbolenza
 Brackets with hooks for antispray mudflap

Paraspruzzi antiturbolenza "STOP-SPRAY"(omologati)

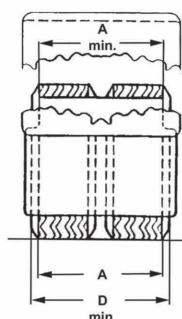
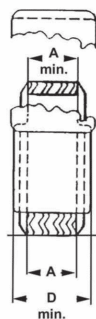
ANTISPRAY MUDFLAPS (omologated)



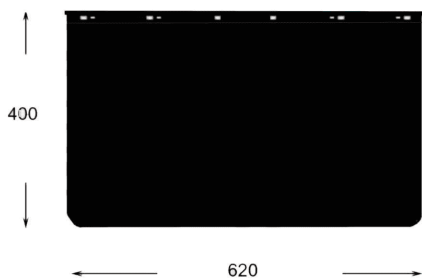
Avvolgenti / Wrapping

L'altezza totale del paraspruzzo si determina sommando la quota fissa di B= mm.370 alla quota variabile C= tabella articoli :

The total height of the Wrapping Mudflaps is determined by adding the fixed B = mm.370 a the variable C = table art. :

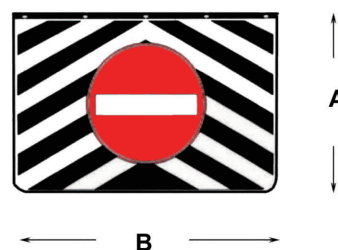
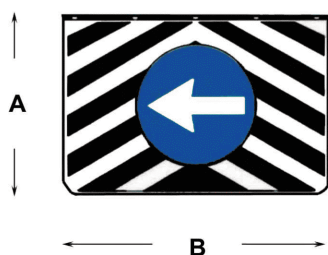


Art.	Larghezza parafango Width mudguard	Paraspruzzi / Mudflaps			
		A	D	C	Kg
40-01330	mm. 350	300	350	500	1,690
40-01335	mm. 400	300	400	500	1,850
40-01340	mm. 450	400	450	500	2,150
40-01345	mm. 500	400	500	500	2,220
40-01350	mm. 600	600	600	500	2,910
40-01355	mm. 650	600	650	500	3,130
40-01360	mm. 700	650	700	500	3,100

Paraspruzzi standard lisci zebrati completi di viteria di fissaggio***Mudflaps standard zebra complete with fixing screws*****Art. 40-00170**

(Kg.1,480)

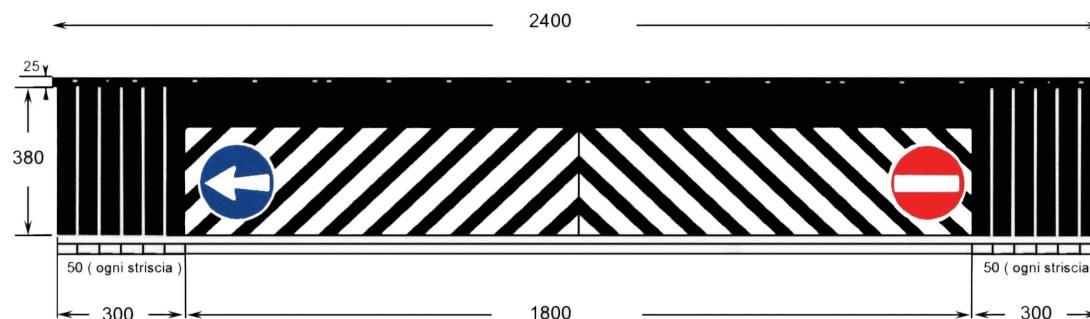
Paraspruzzo standard liscio totalmente nero 620x400

Standard mudflaps totally black 620x400**Art. 40-00159**

(Kg.1,770)

Kit paraspruzzi zebrati lisci composti da
Kit mudflap: Nr. 1 cartello divieto 450x350 + Nr. 1 cartello freccia 450x350
: *Nr. 1cartel prohibition 450x350 + Nr. 1 cartel arrow 450x350***(B X A)****(B X A)****Art. 40-00160**

(Kg.2,440)

Kit paraspruzzi zebrati lisci composti da
Kit mudflap: Nr. 1 cartello divieto 620X400+ Nr. 1 cartello freccia 620X400
: *Nr. 1cartel prohibition 620X400+ Nr. 1 cartel arrow 620X400***(B X A)****(B X A)****Art. 40-00159L**

Kit paraspruzzi barra antincastro stampato in due meta' con freccia e divieto ai lati dim. 2400x380 di cui :

L=1800 (paraspruzzo zebrato con freccia e divieto ai lati)

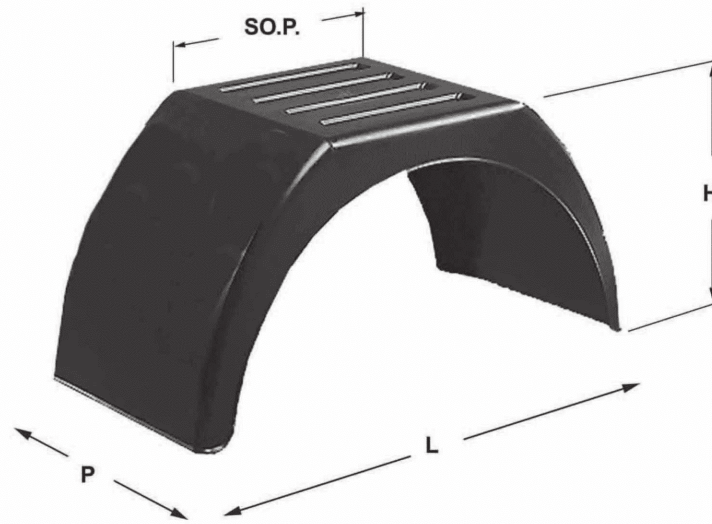
L= 300 (nr. 6 striscie L=50) lato freccia

L= 300 (nr. 6 striscie L=50) lato divieto

*mudflap for rear vehicle underrun protection system dim: 2400x380 :**L=1800 (mudflap with arrow - prohibition side)**L=300 (nr.6 strips L=50) arrow side**L=300 (nr.6 strips L=50) prohibition side*

PARAFANGHI TERMOPLAST CON SOMMITA' PIATTA

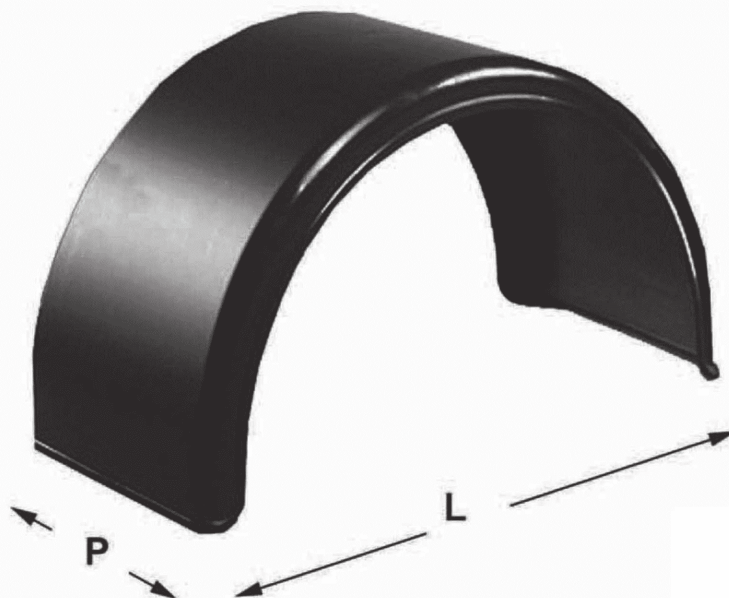
THERMOPLASTIC MUDGUARDS WITH FLAT TOP



Art.	TIPO	TYPE	P	L	SV	H
40-01029	Parafango Somm.Piatta 400	With flat top 400	300	895	1500	460
40-01030	Parafango Somm.Piatta 400	With flat top 400	450	910	1470	460
40-01031	Parafango Somm.Piatta 650	With flat top 650	550	1150	1880	560
40-01032	Parafango Somm.Piatta 530~	With flat top 530~	510	1000	1725	550



Art. 40-01028 Parafango Somm.Piatta P=200 x L=770 x SV. 1135 x H. 330
Thermoplastc mudguards with flat top P=200 x L=770 x SV. 1135 x H.330

Parafanghi TERMOPLASTTHERMOPLASTIC mudguards

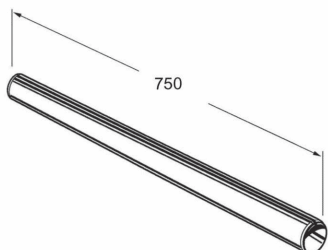
Art.	TIPO	TYPE	P	L	SV
40-01000	ruota singola	single wheel	280	900	1400
40-01002	Daily	Daily	400	880	1380
40-01003	Daily (*)	Daily	410	830	1150
40-01004	Daily	Daily	450	860	1350
40-01008	60 /70 - Eur 80	60 /70 - Eur 80	510	1010	1670
40-01009	Parafango	Mudguard	550	1000	1600
40-01010	FIAT 110 - Eur 100	FIAT 110 - Eur 100	550	1150	1750
40-01012	FIAT 135 - Eur 120	FIAT 135 - Eur 120	600	1150	1760
40-01014	FIAT 145 - Eur 150	FIAT 145 - Eur 150	650	1280	1900
40-01016	Ruota Pilota	single wheel	430	1300	1900
40-01018	Ruota Pilota	single wheel	430	1300	2125
40-01022	FIAT 180-190	FIAT 180-190	670	1340	2100

Mezzi parafanghi TERMOPLASTHalf THERMOPLASTIC mudguards

Art.	TIPO	TYPE	P	SV
40-01050	Mezzo parafango	Half mudguard	450	700
40-01058	Mezzo parafango	Half mudguard	650	700
40-01060	Mezzo parafango	Half mudguard	430	800
40-01070	Mezzo parafango	Half mudguard	430	1000
40-01068	Mezzo parafango	Half mudguard	650	800
40-01076	Mezzo parafango	Half mudguard	600	1000
40-01078	Mezzo parafango	Half mudguard	670	1000

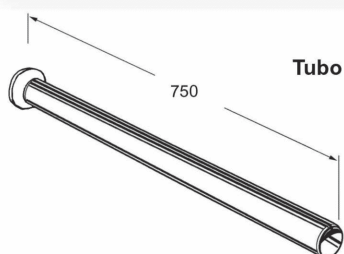
Accessori per parafanghi TERMOPLAST tubo D.42

Accessories for THERMOPLASTIC mudguards with tube D.42



Tubo sciolto diritto / Straight tube

Art.	Tipo / Type	D.	L	Kg
40-01202	Zinc. / Galv.	42	750	1,523
40-01204	Inox / S.s.	42	750	1,240

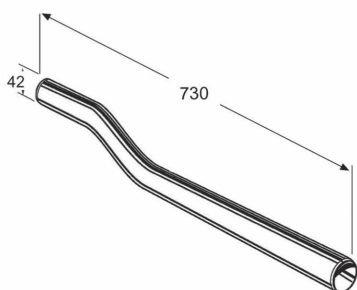


Tubo con flangia tonda

Tube with round flange

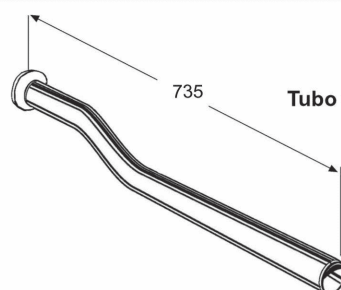
Tubo sciolto diritto / Straight tube

Art.	Tipo / Type	D.	L	Kg
40-01201	Verniciato nero black painted	42	750	1,520
40-01203	Zinc. / Galv.	42	750	1,520



Tubo sciolto sagomato / Ben tube

Art.	Tipo / Type	D.	L	Kg
40-01208	Zinc. / Galv.	42	730	2,041
40-01210	Inox / S.s.	42	730	1,574

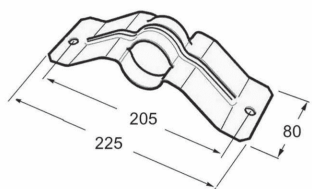


Tubo con flangia tonda

Tube with round flange

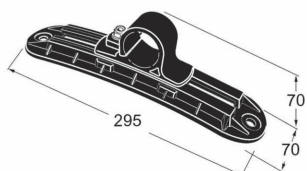
Tubo sciolto sagomato / Ben tube

Art.	Tipo / Type	D.	L	Kg
40-01206	Verniciato nero black painted	42	735	1,610
40-01207	Zinc. / Galv.	42	735	1,610



Fazzoletto per tubo D. 42 Bracket for tube D.42

Art.	Tipo / Type	Kg
40-01212	Grezzo / Raw	0,290
40-01214	Zinc. / Galv.	0,251
40-01216	Inox / S.s.	0,246

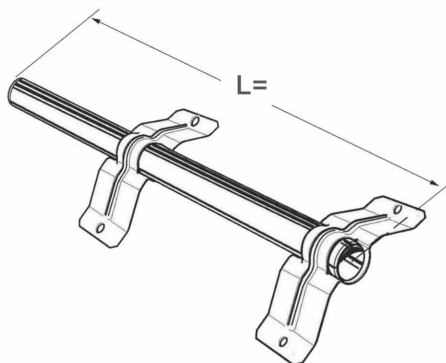


Fazzoletto per tubo D. 42 e D.48 Bracket for tube D.42 and D.48

Art.	Tipo / Type	Kg
40-01229	nylon per tubo D. 48	0,345
40-01230	nylon per tubo D. 42	0,325

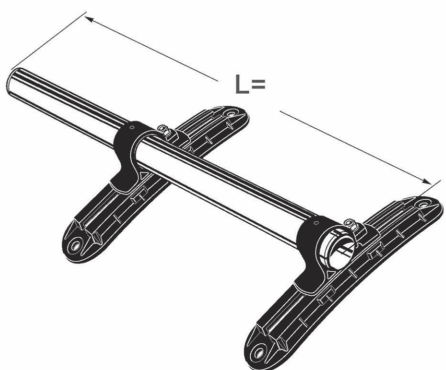
Compressivo staffa registrabile (tubi + fazzoletti)

Kit adjustable (tube + bracket)



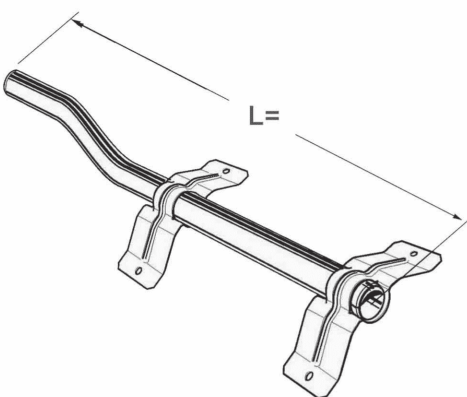
Kit registrabile tubo diritto D.42 con fazzoletti
Kit adjustable straight tube D.42 with brackets

Art.	Tipo Type	L.	Fazzoletti Brackets	Kg
40-01221	Zinc. / Galv.	600	(art.40-01214)	2,137
40-01222	Inox / S.s.	750	(art.40-01216)	1,731



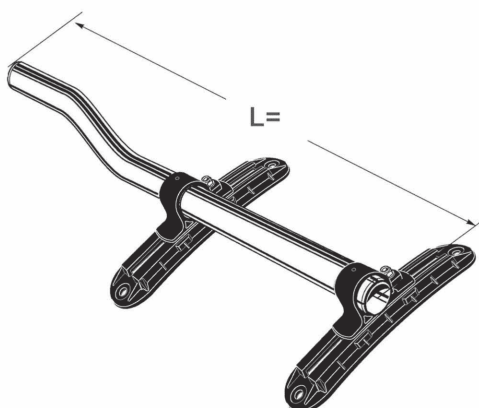
Kit registrabile tubo diritto D.42 con fazzoletti
Kit adjustable straight tube D.42 with brackets

Art.	Tipo Type	L.	Fazzoletti Brackets	Kg
40-01232	Zinc. / Galv.	750	(art.40-01230)	2,173
40-01233	Inox / S.s.	750	(art.40-01230)	1,890



Kit registrabile tubo sagomato D.42 con fazzoletti
Kit adjustable ben tube D.42 with brackets

Art.	Tipo Type	L.	Fazzoletti Brackets	Kg
40-01226	Zinc. / Galv.	730	(art.40-01214)	2,543
40-01227	Inox / S.s.	730	(art.40-01216)	2,066

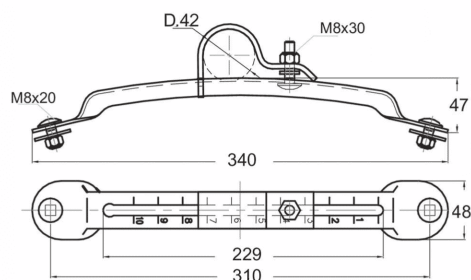


Kit registrabile tubo sagomato D.42 con fazzoletti
Kit adjustable ben tube D.42 with brackets

Art.	Tipo Type	L.	Fazzoletti Brackets	Kg
40-01235	Zinc. / Galv.	730	(art.40-01230)	2,173
40-01236	Inox / S.s.	730	(art.40-01230)	1,890

Accessori per parafanghi TERMOPLAST tubo D.42

Accessories for THERMOPLASTIC mudguards with tube D.42



Art. 40-00354

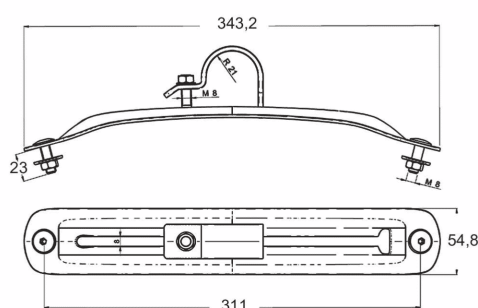
(Kg.3,305)

Kit staffa paraf. (tubo D.42 diritto zinc. e fazzoletti regolabili 40-00354/F)
Kit zinc plated adjustable bracket and tube D.42

Art. 40-00354/F

(Kg.0,530)

Fazzoletto regolabile zincato per art. 40-00354
Zinc plated adjustable bracket for art. 40-00354



Art. 40-00354/I

(Kg.3,305)

Kit staffa paraf. (tubo D.42 diritto inox e fazzoletti regolabili 40-00354/FI)
Kit S.s plated adjustable bracket and tube D.42

Art. 40-00354/FI

(Kg.0,530)

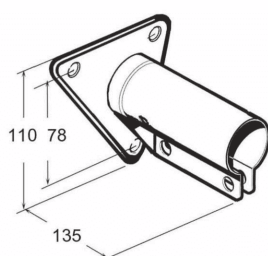
Fazzoletto regolabile **inox** per art. 40-00354/I
S.s. plated adjustable bracket for art. 40-00354/I



Art. 49-00023

(Kg.0,012)

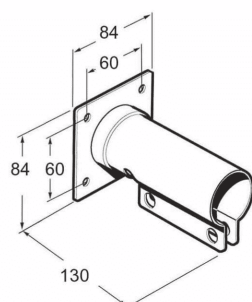
Tappo per staffa parafango PVC per tubo D.42
Tube end cap D.42 (PVC)



Art. 40-01254

(Kg.0,580)

Supporto zincato per tubo D. 42
Zinc plated tube fitting for tube D. 42



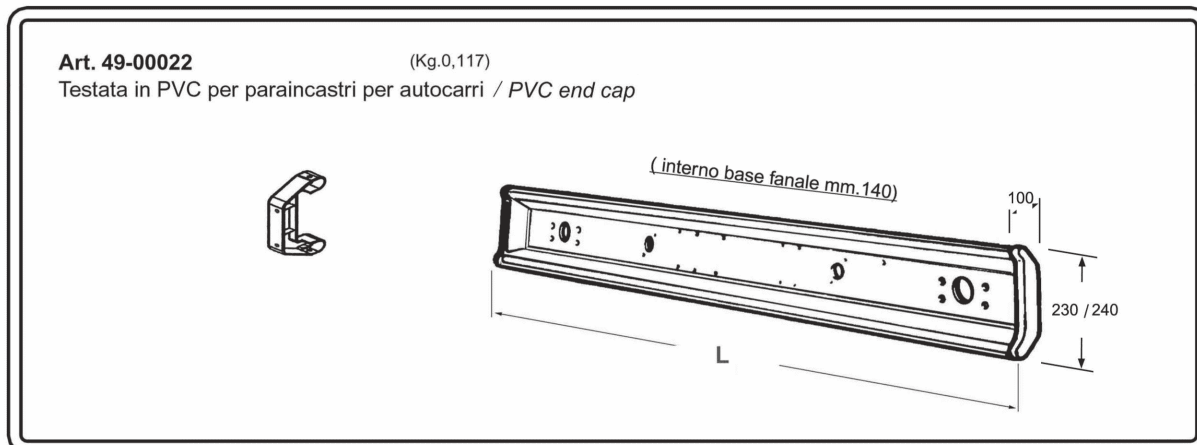
Art. 40-01256

(Kg.0,595)

Supporto zincato per tubo D. 42
Zinc plated tube fitting for tube D. 42

Paraincastri senza fanali per autocarri

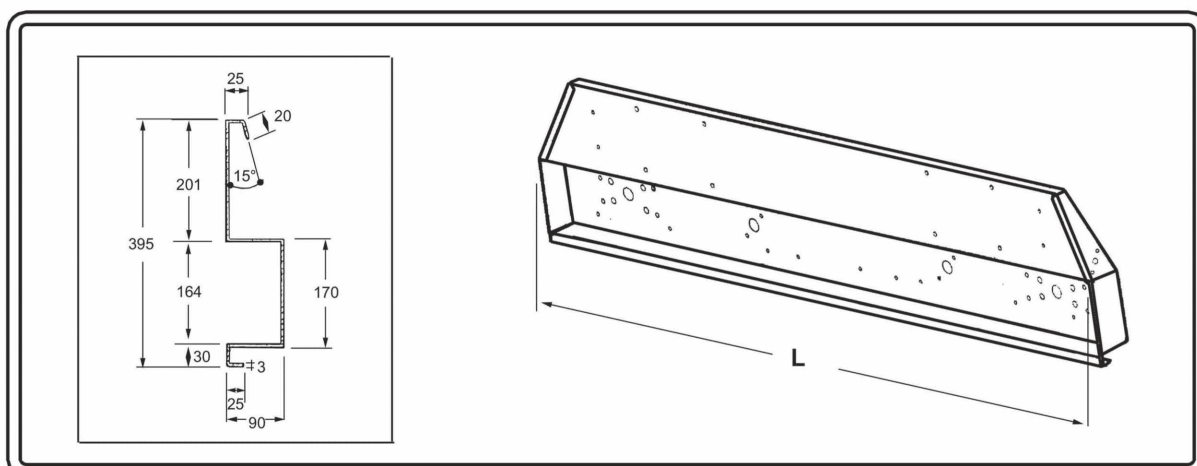
Rear vehicle underrun protection system without lights



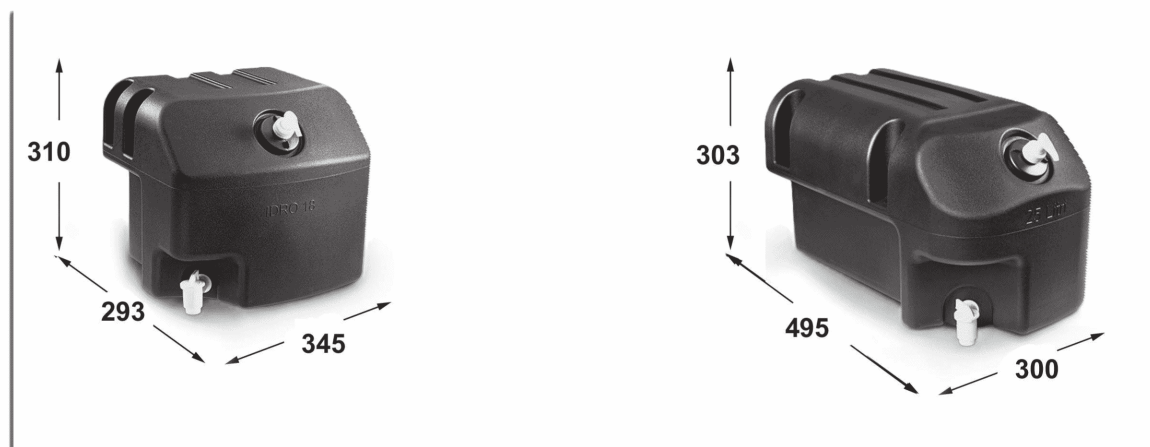
Art.	TIPO	TYPE	L	Kg.
40-00400	VERNICIATI	PAINTED GREY	1800	11,000
40-00401	VERNICIATI	PAINTED GREY	1900	11,600
40-00433	VERNICIATI	PAINTED GREY	2000	12,200
40-00402	VERNICIATI	PAINTED GREY	2100	12,800
40-00403	VERNICIATI	PAINTED GREY	2200	13,400
40-00404	VERNICIATI	PAINTED GREY	2300	14,000
40-00437	VERNICIATI	PAINTED GREY	2400	14,600
40-00410	INOX FIORETTATI	S.S. WITH ANTI REFLEX TREATMENT (FLOWERED)	1800	11,700
40-00413	INOX FIORETTATI	S.S. WITH ANTI REFLEX TREATMENT (FLOWERED)	2200	14,200
40-00414	INOX FIORETTATI	S.S. WITH ANTI REFLEX TREATMENT (FLOWERED)	2300	14,800
40-00439	INOX FIORETTATI	S.S. WITH ANTI REFLEX TREATMENT (FLOWERED)	2400	15,500

Paraincastri senza fanali per rimorchio sagomate

Rear vehicle underrun protection system without lights High Trailer



Art.	TIPO	TYPE	L	Kg.
40-00398	VERNICIATI	PAINTED GREY	2300	22,500
40-00399	VERNICIATI	PAINTED GREY	2400	23,500
40-00407	INOX FIORETTATI	S.S. WITH ANTI REFLEX TREATMENT (FLOWERED)	2300	23,000
40-00408	INOX FIORETTATI	S.S. WITH ANTI REFLEX TREATMENT (FLOWERED)	2400	24,000

Taniche acqua in PVCThermoplastic water tanks

Art. 4000497 Tanica acqua in pvc con portasapone e rubinetto LT.18 (Kg.1,900)
Thermoplastic water tank with faucet and soap holder LT.18

Art. 4000498 Tanica acqua in pvc con portasapone e rubinetto LT.25 (Kg.2,600)
Thermoplastic water tank with faucet and soap holder LT.25

A richiesta supporti e ricambi / On demand brackets and accessories

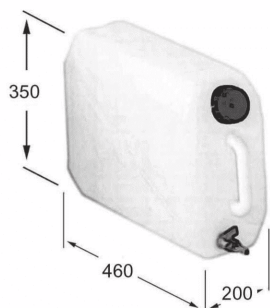


Art. 40-00510 Tanica acqua in PVC con staffe rubinetto e portasapone capacita' Lt. 30 (Kg.3,000)
Thermoplastic water tank with brackets / faucet and soap holder capacity 30 Lt.
 Dimensioni - *Dimensions: A= 430 - B= 360 - C= 350*

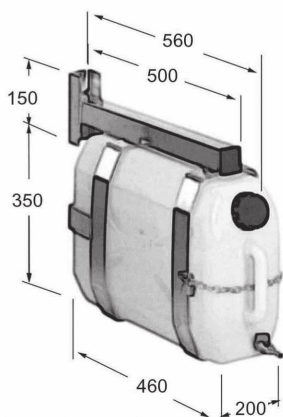
Art. 40-00511 Tanica acqua in PVC con staffe rubinetto e portasapone capacita' Lt. 50 (Kg.5,200)
Thermoplastic water tank with brackets / faucet and soap holder capacity 50 Lt.
 Dimensioni - *Dimensions: A= 450 - B= 380 - C= 360*

Taniche acqua in plastica

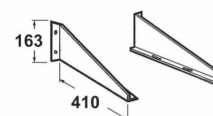
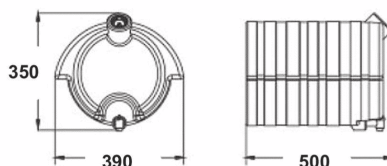
Plastic water tanks



Art. 40-00502 (Kg.1,280)
 Tanica plastica nuda con rubinetto e tappo capacita' Lt. 25
 Plastic water tank capacity 25 Lt. with faucet and cap



Art. 40-00501 (Kg.6,296)
 Tanica plastica con telaio zinc. - rubinetto e tappo capacita' Lt. 25
 Plastic water tank capacity 25 Lt. with galv.frame/faucet and cap



Staffe / brackets

Art. 40-00516 (Kg.7,014)
 Tanica acqua in PVC capacita' Lt. 30 con staffe e rubinetto e portasapone
 Thermoplastic water tank capacity 30 Lt. with brackets / faucet and soap holder

Art. 40-00517 (Kg.5,327)
 Tanica acqua in PVC capacita' Lt.30 con staffe rubinetto e tappo (senza portasapone)
 Thermoplastic water tank capacity 30 Lt. with brackets / faucet without soap holder

Taniche acqua in acciaio inox fiorettatoS.s.flowered water tank**Art. 40-00509**

(Kg.4,350)

Tanica acciaio inox fiorettato capacita' Lt.25
con rubinetto - tappo e staffe asolate

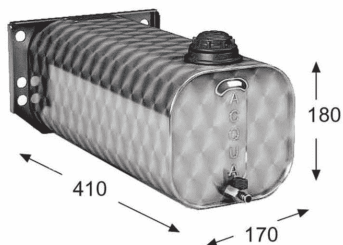
*S.s.flowered water tank capacity 25 Lt.
with brackets with holes / faucet and cap*

**Art. 40-00513**

(Kg.5,850)

Tanica acciaio inox fiorettato capacita' Lt.25
con rubinetto - tappo e staffe asolate

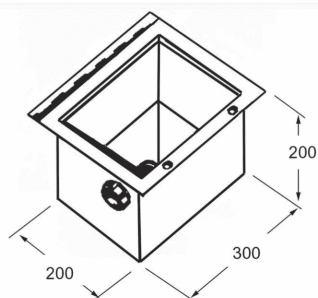
*S.s.flowered water tank capacity 25 Lt.
with brackets with holes / faucet and cap*

**Art. 40-00512**

(Kg.3,000)

Tanica acciaio inox fiorettato capacita' Lt.12
con rubinetto - tappo e staffe asolate

*S.s.flowered water tank capacity 12 Lt.
with brackets with holes / faucet and cap*

Cassetta raccogli liquidi in acciaio inoxS.s. draining box**Art. 40-00508**

(Kg.2,845)

Portasapone per taniche acqua

Soap holder for water tanks



Art. 40-00507 (kg.0,450)
Porta sapone inox D.80 H. 200
Stainless steel soap holder D.80 H.200

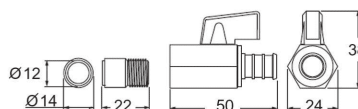
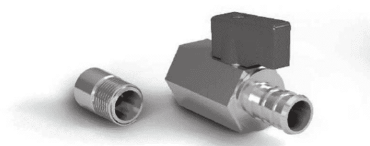


Art. 40-00505 (Kg.0,434)
Porta sapone in Pvc D.55 H. 200
Pvc soap holder D.55 H. 200

Art. 40-00518 (Kg.0,434)
Porta sapone in Pvc per tanica 40-00517
Pvc soap holder for water tank 40-00517

Rubinetto per tanica inox

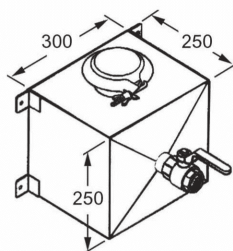
S.s.flowered tap water tank



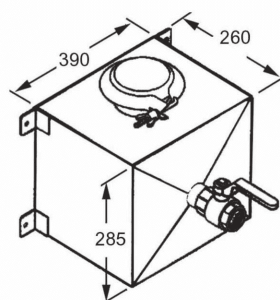
Art. 40-00503 (Kg. 0,08)

Taniche recupero liquidi e liquame

Draining boxes



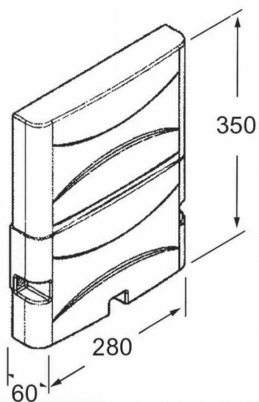
Art. 40-00514 (Kg.5,260)
Tanica in acciaio/inox/fiorettato recupero liquame
capacita' Lt. 18
Stainless steel flowered draining box
capacity 18 Lt.



Art. 40-00515 (Kg.6,395)
Tanica in acciaio/inox/fiorettato recupero liquame
capacita' Lt. 28
Stainless steel flowered draining box
capacity 28 Lt.

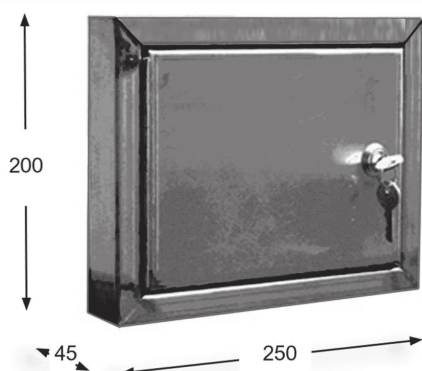
Porta documenti (cassette e tubi)

Document holders

**Art. 40-00519**

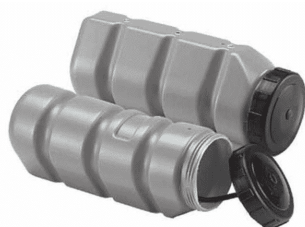
(Kg.0,800)

Cassetta porta documenti in PVC H. 350
 Document holder (PVC) H. 350

**Art. 40-00520**

(Kg.1,256)

Cassetta porta documenti inox
 Document holder S.s.

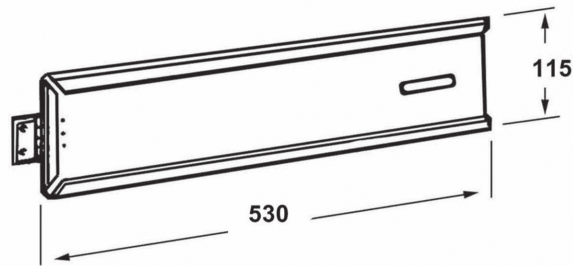
**Art. 40-00523**

(Kg.0,523)

Tubo in PVC porta documenti senza chiave H.340
 Document holder (PVC) H.340

Porta Targa

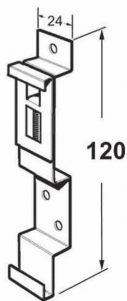
Support number plate



Art. 40-00527/N

Porta targa INOX L=530 x H=115 / *Stainless steel support number plate L=530 x H=115*

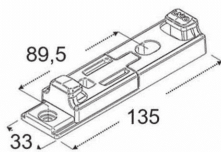
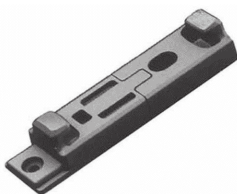
(Kg.0,428)



Art. 40-00545

Porta targa INOX a molla L=120 x H=24
S.steel support number plate with spring L=120 x H=24

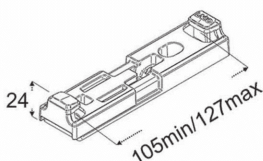
(Kg.0,038)



Art. 40-00546

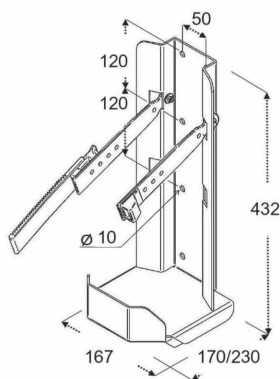
Porta targa in PVC a molla PVC L=135 x H.33
PVC support number plate with spring L=135 x H=33

(Kg.0,030)



Porta estintori

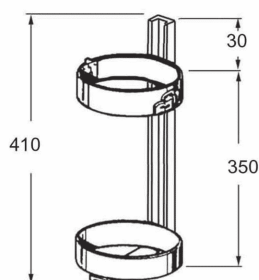
Extinguisher holders

**Art. 40-00521** (Kg.3,400)

Porta estintore aperto in acciaio verniciato rosso adatto per estintori D.160 e D.220 capacita' 6 - 9 - 12
Extinguisher holder painted red open type suitable for extinguisher with D.160 e D.220 capacity 6 - 9 - 12

Art. 40-00522 (Kg.2,300)

Porta estintore aperto acciaio INOX adatto per estintori D.160 e D. 220 capacita' 6 - 9 - 12
Extinguisher holder stainless steel open type suitable for extinguisher with D.160 e D.220 capacity 6 - 9 - 12

**Art. 40-00524** (Kg.2,500)

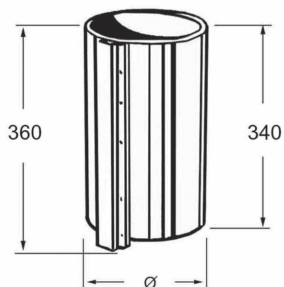
Porta estintore aperto INOX D.160
Extinguisher holder stainless steel open type D.160

Art. 40-00525 (Kg.2,620)

Porta estintore aperto INOX D.180
Extinguisher holder stainless steel open type D.180

Art. 40-00526 (Kg.2,800)

Porta estintore aperto INOX D.200
Extinguisher holder stainless steel open type D.200

**Art. 40-00528** (Kg.2,185)

Porta estintore chiuso INOX D.200
Extinguisher holder stainless steel closed type D.200

Art. 40-00529 (Kg.2,310)

Porta estintore chiuso INOX D.180
Extinguisher holder stainless steel closed type D.180

Porta estintori TERMOPLAST / TERMOPLAST extinguisher holders



ART.	tipo	type	Kg.	A	B	C	Kg
40-00551	rosso/nero	red/black	6	620	310	260	4,100
40-00552	rosso/nero	red/black	6 - 9	690	310	260	4,600
40-00550	rosso/nero	red/black	9 - 12	770	310	260	4,900



ART.	tipo	type		A	B	C	Kg
40-00555	rosso/nero	red/black	6	600	300	250	3,850
40-00556	rosso/nero	red/black	9 - 12	750	300	300	5,200



A richiesta / On demand

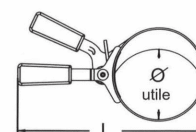
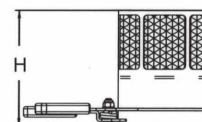
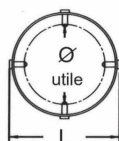
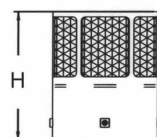
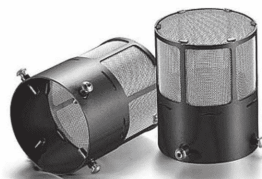
ART.	tipo	type		A	B	C	Kg
40-00560	rosso/nero	red/black	6	607	240	314	2,400

MATERIALE SU RICHIESTA

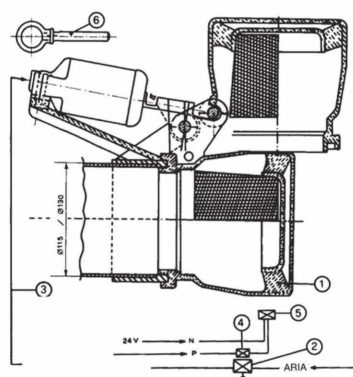
(ON DEMAND)

TAGLIA FIAMMA MOBILE**SPARK BREAKER MOBILE**

ART.	D.	H	L	D.		
				UTILE / REQUIRED		
40-00536	50	100	174	32	a	42
40-00537	54	100	178	35	a	48
40-00538	70	100	194	48	a	62
40-00530	80	100	204	62	a	75
40-00531	102	150	226	75	a	95
40-00532	121	150	245	93	a	112
40-00533	152	170	276	113	a	140
40-00534	170	170	294	135	a	160
40-00535	191	170	315	160	a	180
40-00539	202	170	326	170	a	190

**TAGLIA FIAMMA FISSO****SPARK BREAKER FIXED**

ART.	D.	H	L	D.		
				UTILE / REQUIRED		
40-00570	Ø 50	100	56	32	a	42
40-00571	Ø 54	100	60	35	a	48
40-00572	Ø 70	100	76	48	a	62
40-00573	Ø 80	100	86	62	a	75
40-00574	Ø 102	150	108	75	a	95
40-00575	Ø 121	150	127	93	a	112
40-00576	Ø 152	170	158	113	a	140
40-00577	Ø 170	170	176	135	a	160
40-00578	Ø 191	170	197	160	a	180
40-00579	Ø 202	170	208	170	a	190

Tagliafiamma Spark breaker

- ① DISPOSITIVO PARASCINTILLE
DEVICE SPARK ARRESTER
- ② DEVIATORE IVIA 3/8 (MONTATO IN CABINA)
SWITCH IVIA 3/8 (MOUNTED IN THE CAB)
- ③ TUBO RILSAN 4/6
TUBE Rilsan 4/6
- ④ PRESSOSTATO
PRESSURE SWITCH
- SPIA LUMINOSA
(montata in cabina e visibile dall'esterno)
INDICATOR LIGHT
(mounted in the cab and visible from outside)
- ⑥ SPINOTTO PER BLOCCAGGIO MANUALE
D'EMERGENZA
PIN LOCK MANUAL FOR EMERGENCY

ART.	descrizione	D.
40-00540	pneumatico <i>pneumatic</i>	115
40-00541	pneumatico <i>pneumatic</i>	130
40-00544	Kit montaggio <i>Kit installation</i>	

MATERIALE SU RICHIESTA

(ON DEMAND)

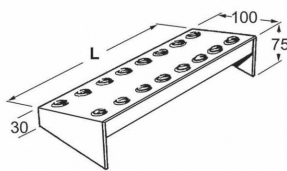
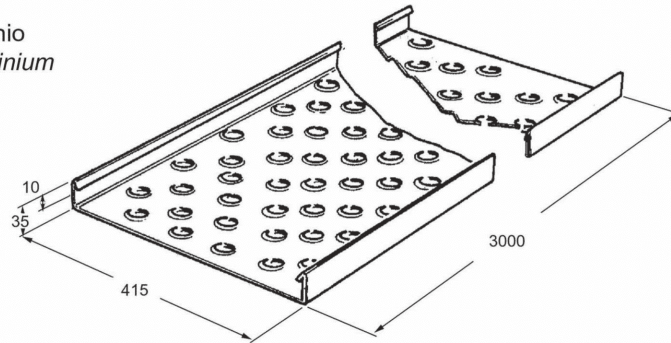
PASSERELLE PER CISTERNA

/

GANGWAYS FOR TANKS

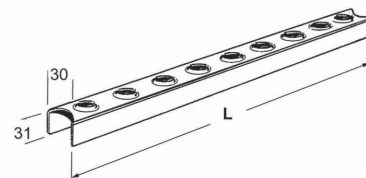
Art. 40-00970

Passerella alluminio
Gangway in aluminium



Art. 40-00954

Piolo inox L=300 / S.s. step L=300

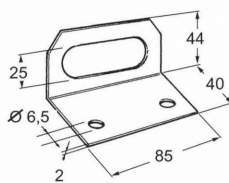


Art. 40-00950

Piolo inox stretto L=800 / S.s. step L=800

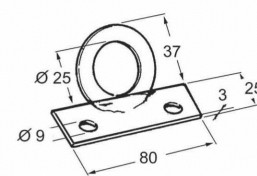
Art. 40-00952

Piolo inox stretto L=300 / S.s. step L=300



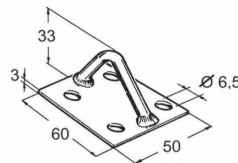
Art. 40-00960

Ganci di sicurezza c/asola / Safety hook



Art. 40-00962

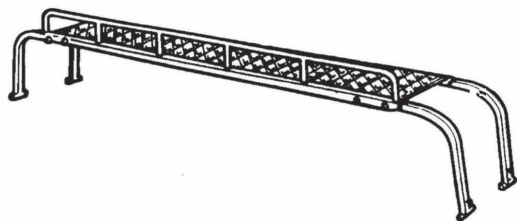
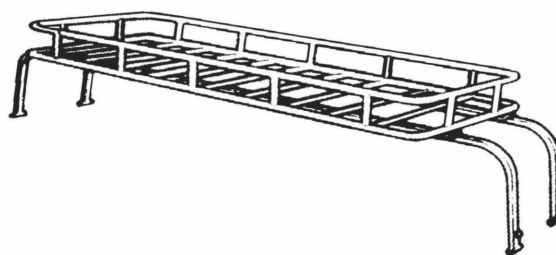
Ganci di sicurezza c/rondella / Safety hook



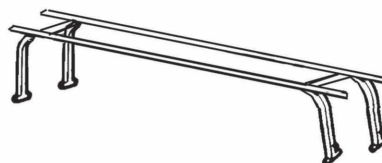
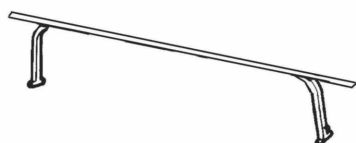
Art. 40-00964 Ganci di sicurezza c/tondino / Safety hook

MATERIALE SU RICHIESTA

(ON DEMAND)

PasserelleGangway chequered steel plate topPortapacchi completi di attacchiTarpaulin holder with fittingsPorta faretti zincati

/

Zinc plated light holderScalette e attacchi per passerelle
e portapacchi zincateZinc plated Ladders and fittings for
gangways and tarpaulin holders